



ORIGINAL INSTRUCTIONS

TABLE OF CONTENTS

Welcome to Lumberjack!

Dear customer, Congratulations on your purchase. Before using the product for the first time please be sure to read these instructions for use.

They provide you with all information necessary for using the product safely and to ensure its long service life.

Closely observe all safety information in these instructions!

General Power Tool Safety Warnings.....	01
Symbols & Cable Rating Chart	04
Machine Details and Product Features.....	05
Operation.....	07
Maintenance and Service.....	10
Lumberjack Guarantee.....	11
Declaration of Conformity.....	13

GENERAL POWER TOOL SAFETY WARNINGS

WARNING Read all safety warnings and all instructions. Failure to follow the warnings and instructions may result in electric shock, fire and/or serious injury.

Save all warnings and instructions for future reference. The term "power tool" in the warnings refers to your electric (corded) power tool or battery-operated (cordless) power tool.

1. Work area safety

a) Keep work area clean and well lit. Cluttered or dark areas invite accidents.

b) Do not operate power tools in explosive atmospheres, such as in the presence of flammable liquids, gases or dust. Power tools create sparks which may ignite the dust or fumes.

c) Keep children and bystanders away while operating a power tool. Distractions can cause you to lose control.

2. Electrical safety

a) Power tool plugs must match the outlet. Never modify the plug in any way. Do not use any adapter plugs with grounded power tools. Unmodified plugs and matching outlets will reduce risk of electric shock.

b) Avoid body contact with grounded surfaces, such as pipes, radiators, ranges and refrigerators. There is an increased risk of electric shock if your body is grounded.

c) Do not expose power tools to rain or wet conditions. Water entering a power tool will increase the risk of electric shock.

d) Do not abuse the cord. Never use the cord for carrying, pulling or unplugging the power tool. Keep cord away from heat, oil, sharp edges or moving parts. Damaged or entangled cords increase the risk of electric shock.

e) When operating a power tool outdoors, use an extension cord suitable for outdoor use. Use of a cord suitable for outdoor use reduces the risk of electric shock.

f) If operating a power tool in a damp location is unavoidable, use a residual current device (RCD) protected supply. Use of an RCD reduces the risk of electric shock.

3. Personal safety

a) Stay alert, watch what you are doing and use common sense when operating a power tool. Do not use a power tool while you are tired or under the influence of drugs, alcohol or medication. A moment of inattention while operating power tools may result in serious personal injury.

b) Use personal protective equipment. Always wear eye protection. Protective equipment such as dust mask, non-skid safety shoes, hard hat, or hearing protection used for appropriate conditions will reduce personal injuries.

c) Prevent unintentional starting. Ensure the switch is in the off position before connecting to power source and/or battery pack, picking up or carrying the tool. Carrying power tools with your finger on the switch or energising power tools that have the switch on invites accidents.

d) Remove any adjusting key or wrench before turning the power tool on. A wrench or a key left attached to a rotating part of the power tool may result in personal injury.

GENERAL POWER TOOL SAFETY WARNINGS

e) Do not overreach. Keep proper footing and balance at all times. This enables better control of the power tool in unexpected situations.

f) Dress properly. Do not wear loose clothing or jewellery. Keep your hair, clothing and gloves away from moving parts. Loose clothes, jewellery or long hair can be caught in moving parts.

g) If devices are provided for the connection of dust extraction and collection facilities, ensure these are connected and properly used. Use of dust collection can reduce dust-related hazards.

4. Power tool use and care

a) Do not force the power tool. Use the correct power tool for your application. The correct power tool will do the job better and safer at the rate for which it was designed.

b) Do not use the power tool if the switch does not turn it on and off. Any power tool that cannot be controlled with the switch is dangerous and must be repaired.

c) Disconnect the plug from the power source and/or the battery pack from the power tool before making any adjustments, changing accessories, or storing power tools. Such preventive safety measures reduce the risk of starting the power tool accidentally.

d) Store idle power tools out of the reach of children and do not allow persons unfamiliar with the power tool or these instructions to operate the power tool. Power tools are dangerous in the hands of untrained users.

e) Maintain power tools. Check for misalignment or binding of moving parts, breakage of parts and any other condition that may affect the power tool's operation. If damaged, have the power tool repaired before use. Many accidents are caused by poorly maintained power tools.

f) Keep cutting tools sharp and clean. Properly maintained cutting tools with sharp cutting edges are less likely to bind and are easier to control.

g) Use the power tool, accessories and tool bits etc. in accordance with these instructions, taking into account the working conditions and the work to be performed. Use of the power tool for operations different from those intended could result in a hazardous situation.

5. Service

a) Have your power tool serviced by a qualified repair person using only identical replacement parts. This will ensure that the safety of the power tool is maintained.

b) If the replacement of the supply cord is necessary, this has to be done by the manufacturer or its agent in order to avoid a safety hazard.

6. Additional Safety and Working Instructions

6.1 Dusts from materials such as lead-containing coatings, some wood types, minerals and metals can be harmful to one's health and cause allergic reactions, leading to respiratory infections and/or cancer. Materials containing asbestos may only be worked by specialists. Observe the relevant regulations in your country for the materials to be worked.

GENERAL POWER TOOL SAFETY WARNINGS

6.2 Prevent dust accumulation at the workplace. Dusts can easily ignite.

7 Additional Warnings for Circular

7.1 Make sure the voltage corresponds to the type label on the unit.

7.2 Persons with limited physical, sensorial or mental abilities are not allowed to use the unit, unless they are supervised and briefed by a qualified person.

7.3 Keep uninvolved persons out of the working area.

7.4 Do not operate the jigsaw in explosive environments. The unit creates sparks which may ignite the dust or fumes.

7.5 Make sure the saw blade is not touching the work piece before switching on the jigsaw.

7.6 Always hold the jigsaw on the insulated handles to prevent accidental electrical shock, resulting from cutting a live wire when sawing into a wall or other blind area.

7.7 Do not cut or saw where there may be hidden electricity, gas or water utility services.

7.8 Only use saw blades that are suitable for this model. Do not cut with blunt, damaged or bent saw blades. Make sure the saw blade is firmly tightened before switching on the unit.

7.9 Do not attempt to cut work pieces so small that they cannot be securely fastened. Do not support the work piece with your hand or your foot. There is danger of kick-back! Do not reach over the front of the unit or place either hand in the vicinity of the saw blade, e.g. to remove loose splinters, shavings or jammed work piece fragments.

7.10 Always unplug the power plug when not in use, before maintaining or changing the saw blade.

7.11 Only use extension cables with suitable cable quality and which are approved for outdoor operation.

7.12 Make sure the work piece is free from screws or nails. Remove all screws, nails or similar material before cutting.

7.13 Do not touch the blade immediately after cutting, as the blade may be extremely hot.

7.14 Do not disassemble the unit or attempt to repair it yourself.

7.15 Do not operate the jigsaw if the tool itself or the power core has been damaged. Have it repaired by a qualified technician.

8. Using an Extension Cable.

8.1. If an extension cable is required, use an approved triple core extension cable suitable for the power input of the tool.

8.2. Grounded tools always require a three wire extension cable.

8.3. As the distance from the supply outlet increases you must use a heavier gauge extension cable. Using extension cables with inadequately sized wire causes a serious drop in voltage, resulting in loss of power and possible tool damage.

8.4. The smaller the gauge number of the wire the greater the capacity of the cord.

8.5. When using a cable reel, always unwind the cable completely.

SYMBOLS AND POWER RATING CHART



Danger! – Read the operating instructions to reduce the risk of injury.



Caution! Wear safety goggles.



Caution! Wear ear defenders. The impact of noise can cause damage to hearing.



Caution! Risk of Injury! Do not reach into the running saw blade.



Caution! Wear a dust mask.

MACHINE DETAILS AND PRODUCT FEATURES

Machine Details

Specifications:

Mains Voltage -	230V / 50Hz
Power Consumption -	1400W
No load Speed -	4800rpm
Blade Size -	185mm
Cutting Capacity -	65mm (90 Deg) 44mm (45 Deg)
Gross Weight -	4.2kg
Nett Weight -	3.9kg

Package Contents:

- 1 x Blade
- 1x Parallel Guide Ruler
- 1 x Hex Key
- 1 x Wrench
- 1 x Instruction manual

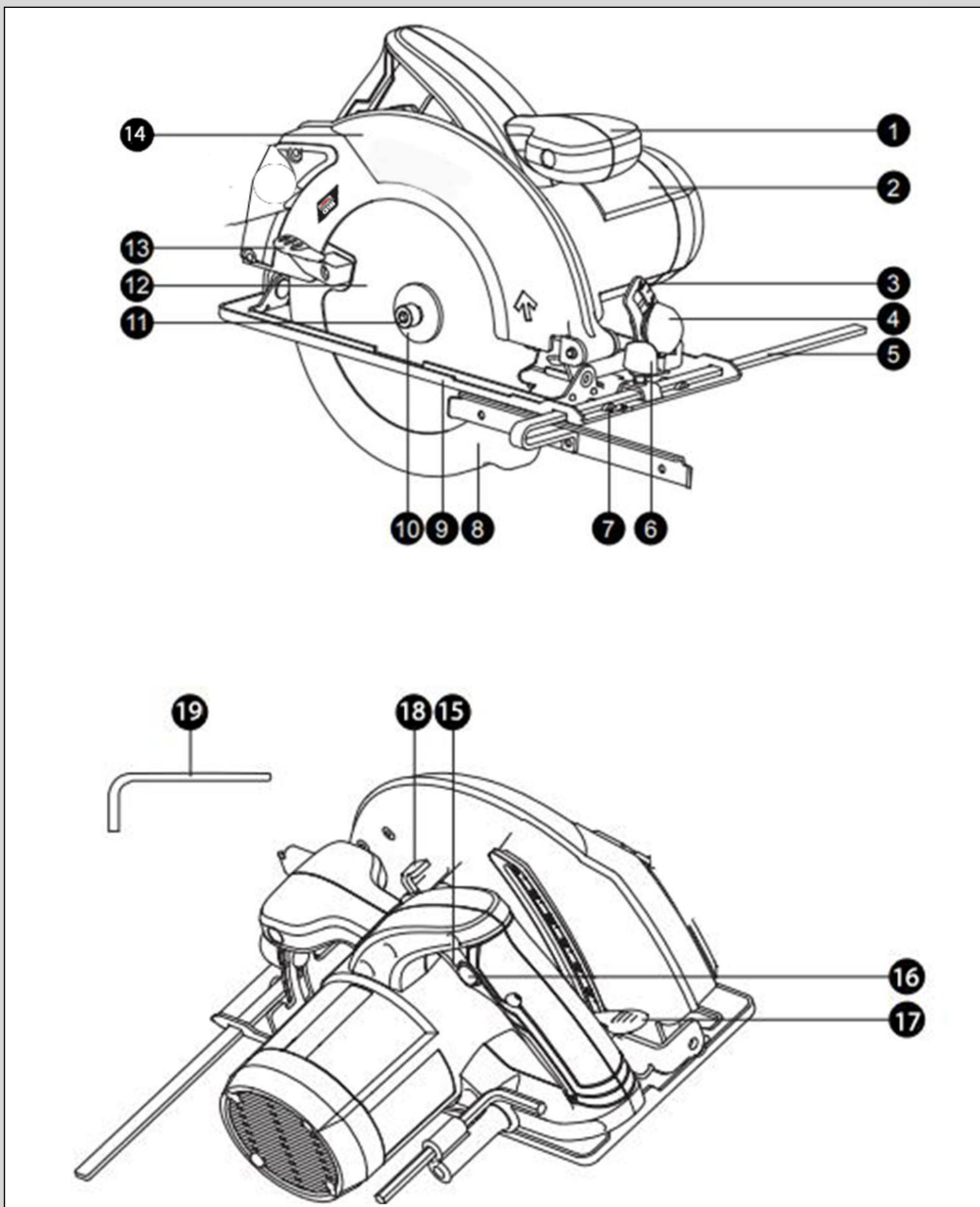
Intended Use

The circular sawing machine is an electric ordinary tool, insulation class II, designed for cutting of wood surfaces and wood derivatives surfaces – such as plywood, chipboard, MDF boards, etc., using circular saws. The saw machine permits comfortable cutting of wood both in the vertical plane of the processed surfaces within an adjusted range of the cutting depth as well as at a certain angle within the adjusted range between 00° and 450°

Product Features

1. .Front Handle
2. .Motor Housing
3. Base Plate Angle Scale
4. .Base Plate Bevel Lock
5. .Parallel Guide
6. .Parallel Guide Lock Knob
7. .Cutting Guide Notch
8. .Lower Blade Guard
9. .Base Plate
- 10..Outer Flange
- 11.Blade Bolt
- 12.Saw Blade
- 13.Lower Guard Lever
- 14.Fixed Guard
- 15.Safety ON/OFF Switch
- 16.Lock-off Button
- 17.Depth Of Cut Adjustment Lever
- 18.Spindle Lock Button
- 19.Allen Key

MACHINE DETAILS AND PRODUCT FEATURES



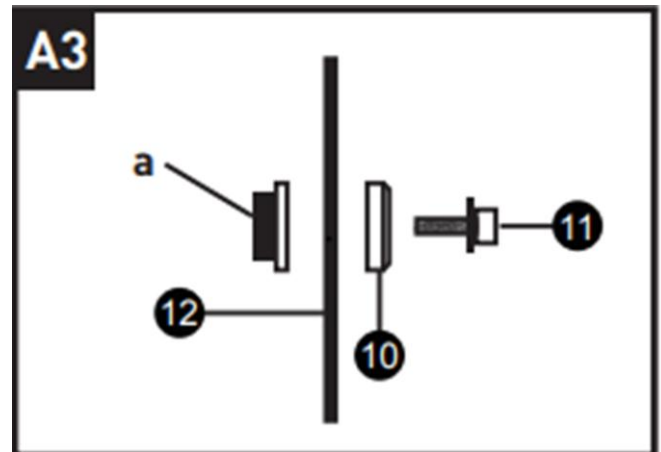
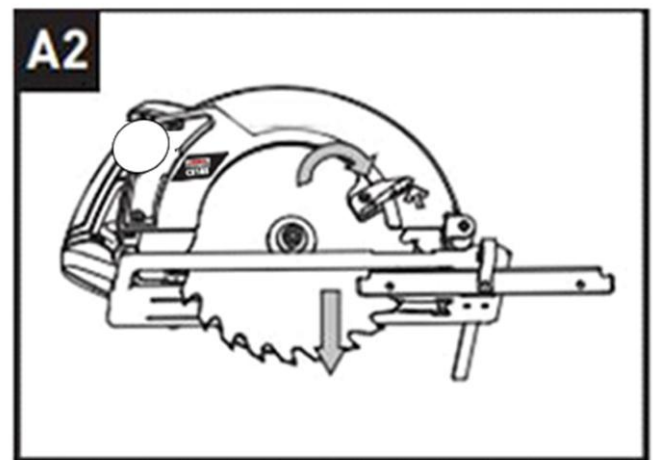
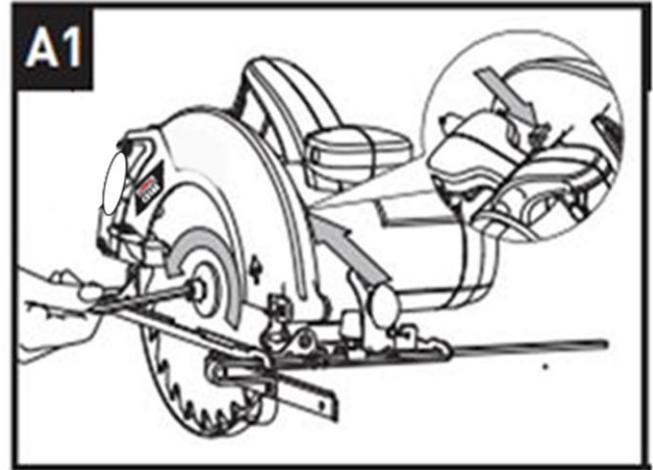
OPERATION

Operation

NOTE: Before using the tool, read the instruction book carefully. Intended use: This tool is intended for lengthways and crossways cutting of wood with straight cutting lines as well as bevel angles to 45° while resting firmly on the work piece.

1. FITTING/CHANGING A SAW BLADE (SEE FIG A1, A2, A3)

Press the spindle lock button and use the allen key to loosen and remove the blade bolt (11). Remove the outer flange (10). Rotate the lower blade guard clockwise by pushing the guard lever to take out the old blade (12). Fit a replaced blade. Ensure that the blade bore is located on the inner flange (a) and the blade direction arrow points in the same direction as the fixed guard arrow. Place the outer flange, the blade bolt onto the blade bore. Press the spindle lock again and use the allen key to tighten the bolt with 1/4 turn more than finger tight. Check if the blade is securely clamped. **WARNING:** Blade teeth are very sharp. For best cutting results ensure you use a saw blade suited to the material and cut quality you need.



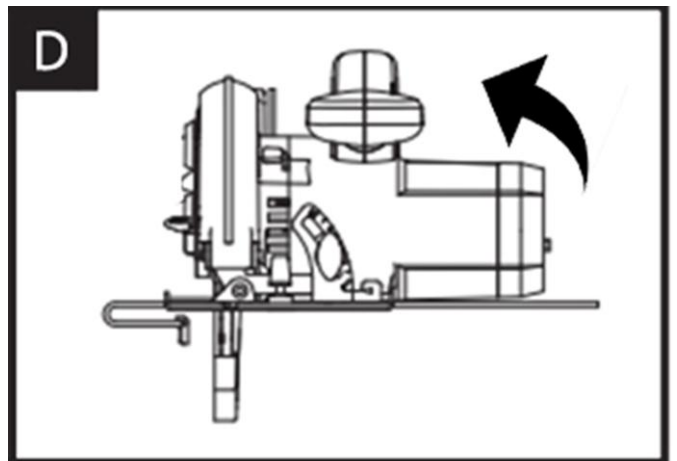
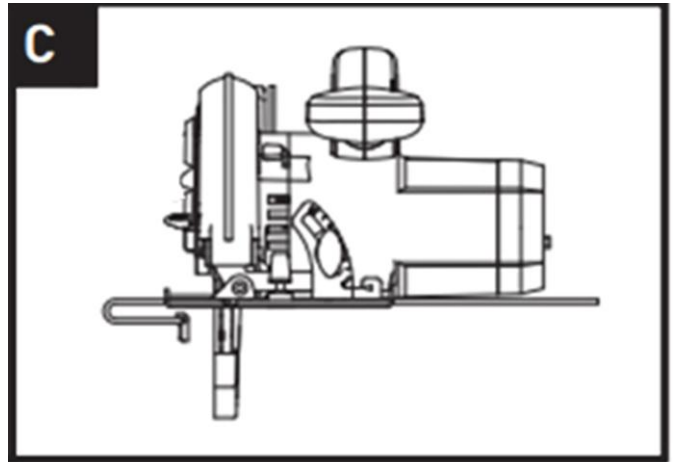
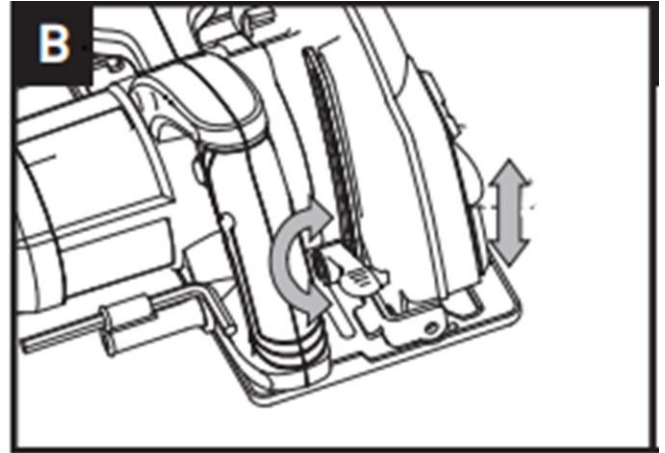
OPERATION

2. DEPTH OF CUT ADJUSTMENT (SEE FIG B)

Lift the depth of cut lock lever and raise the saw body away from the base plate. Set the depth of cut with the scale and push the lever down to lock. Always add 3mm to your depth of cut so that the blade can cut through the material.

3. BASE PLATE ANGLE ADJUSTMENT (SEE FIG C, D)

Turn the base plate bevel lock in anti-clockwise direction to loosen the angle scale. Tilt the base plate away from the tool until the required cutting angle is adjusted on the angle scale. Tighten the bevel lock by turning it in clockwise direction. Do not use the depth of cut scale when making bevel cuts due to possible inaccuracy.



OPERATION

5. HAND GRIP POSITION (SEE FIG E)

Always hold your saw firmly with both hands when operating.

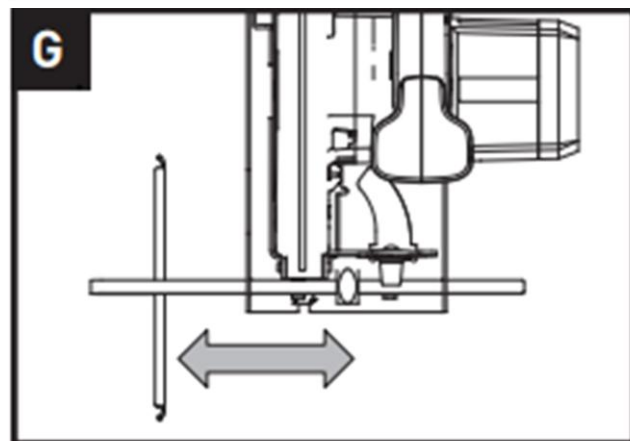
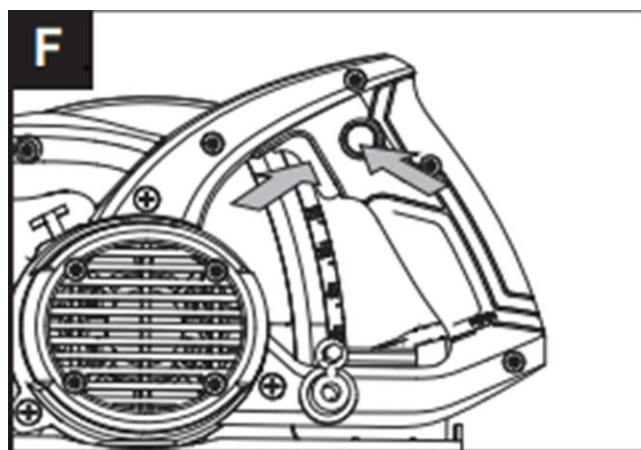
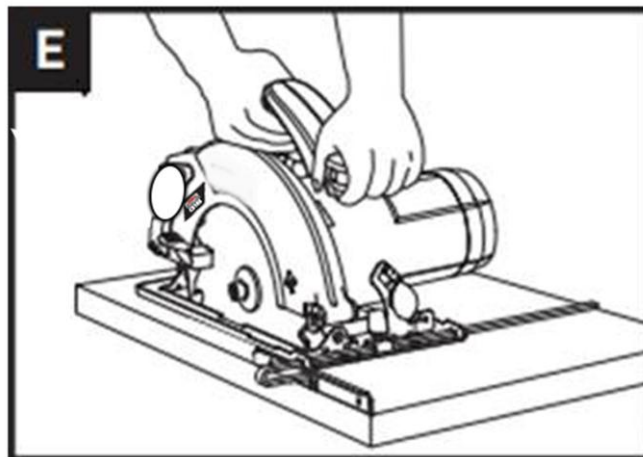
6. SAFETY ON/OFF SWITCH (SEE FIG F)

Your switch is locked off to prevent accidental starting. Depress the lock off button (17) then the on/off switch and release the lock off button. Your switch is now on. To switch off, just release the on/off switch. The blade may continue to rotate after switching off. Wait until the tool comes to a complete stop before setting down.

7. PARALLEL GUIDE ADJUSTMENT (SEE FIG G)

It is used for making cuts parallel to a work piece edge at a chosen distance. Slide the parallel guide arm through the fixture to achieve the required cutting distance then tighten the lock knob to clamp. It can be used from both sides of the base plate. For straight cuts, use the 0° guide mark to align with your parallel guide scale. For a 45° bevel cut, use the 45° guide mark to align with your parallel guide scale. Securely clamp the parallel guide.

NOTE: It is best to carry out a trial cut.



OPERATION & MAINTENANCE AND SERVICE

If your power tool becomes too hot, run your circular saw no load for 2-3 minutes to cool the motor. Avoid prolonged usage at very low speeds. Always use a blade suited to the material and material thickness to be cut. The quality of cut will improve as the number of blade teeth increase. Always ensure the work-piece is firmly held or clamped to prevent movement. Support large panels close to the cut line. Any movement of the material may affect the quality of the cut. The blade cuts on the upward stroke and may chip the uppermost surface or edges of your work piece. When cutting, ensure your uppermost surface is a nonvisible surface when your work is finished. Feeding too fast significantly reduces the performance of the tool and shortens the life of the saw blade. Always face the good side of the work-piece down, to ensure minimum splintering. Only use sharp saw blades of the correct type.

Maintenance and Service

Maintenance and Cleaning and Storage

Remove the plug from the socket before carrying out any adjustment, servicing or maintenance. Your power tool requires no additional lubrication or maintenance. There are no user serviceable parts in your power tool. Never use water or chemical cleaners to clean your power tool. Wipe clean with a dry cloth. Always store your power tool in a dry place. Keep the motor ventilation slots clean. Keep all working controls free of dust. Occasionally you may see sparks through the ventilation slots. This is normal and will not damage your power tool. If the supply cord is damaged, it must be replaced by the manufacturer, its service agent or similarly qualified persons in order to avoid a hazard.

LUMBERJACK GUARANTEE

1. Guarantee

1.1 Lumberjack guarantees that for a period of 12 months from the date of purchase the components of qualifying products (see clauses 1.2.1 to 1.2.8) will be free from defects caused by faulty construction or manufacture.

1.2. During this period Lumberjack, will repair or replace free of charge any parts which are proved to be faulty in accordance with paragraph 1.1 providing that:

1.2.1 You follow the claims procedure set out in clause 2

1.2.2 Lumberjack and its authorised dealers are given reasonable opportunity after receiving notice of the claim to examine the product

1.2.3 If asked to do so by Lumberjack or its Authorised dealer, you return the product at your own cost to Lumberjack's or supplying Authorised Dealer's premises, for the examination to take place clearly stating the Returns Material Authorisation number given by Lumberjack or an Authorised Dealer.

1.2.4 The fault in question is not caused by industrial use, accidental damage, fair wear and tear, wilful damage, neglect, incorrect electrical connection, misuse, or alteration or repair of the product without approval.

1.2.5 The product has been used in a domestic environment only

1.2.6 The fault does not relate to consumable items such as blades, bearings, drive belts, or other wearing parts which can reasonably be expected to wear at different rates depending on usage.

1.2.7 The product has not been used for hire purposes.

1.2.8 The product has been purchased by you as the guarantee is not transferable from a private sale.

2. Claims Procedure

2.1 In the first instance please contact the Authorised Dealer who supplied the product to you. In our experience many initial problems with machines that are thought to be faulty due to faulty parts are actually solved by correct setting up or adjustment of the machine. A good Authorised Dealer should be able to resolve the majority of these issues much more quickly than processing a claim under the guarantee. If a return is requested by the Authorised Dealer or Lumberjack, you will be provided with a Returns Material Authorisation number which must be clearly stated on the returned package, and any accompanying correspondence. Failure to provide a Returns Material Authorisation number may result in item being refused delivery at Authorised Dealer.

2.2 Any issues with the product resulting in a potential claim under the guarantee must be reported to the Authorised Dealer from which it was purchased within 48 hours of Receipt.

2.3 If the Authorised Dealer who supplied the product to you has been unable to satisfy your query, any claims made under this Guarantee should be made directly to Lumberjack. The Claim itself should be made in a letter setting out the date and place of purchase, giving a brief explanation of the problem which has led to the claim. This letter should be then sent with proof

LUMBERJACK GUARANTEE

of purchase to Lumberjack. If you include a contact number with this it will speed your claim up.

2.4 Please note that it is essential that the letter of claim reaches Lumberjack on the last day of this Guarantee at the latest. Late claims will not be considered.

3. Limitation of Liability

3.1 We only supply products for domestic and private use. You agree not to use the product for any commercial, business or resale purposes and we have no liability to you for any loss of profit, loss of business, business interruption or loss of business opportunity.

3.2 This Guarantee does not confer any rights other than these expressly set out above and does not cover any claims for consequential loss or damage. This Guarantee is offered as an extra benefit and does not affect your statutory rights as a consumer.

4. Notice

This Guarantee applies to all product purchased from an Authorised Dealer of Lumberjack within the United Kingdom. Terms of Guarantee may vary in other countries.

CE DECLARATION OF CONFORMITY

TOOLSAVE

Unit C, Manders Ind. Est.,
Old Heath Road, Wolverhampton,
WV1 2RP.
Tel: 01902 450 470

Declares that the Circular Saw (CS185)

Is in compliance with the regulations included in the Directives:2014/30/EU

EC DECLARATION OF CONFORMITY

Certificate for EC-type examination delivered by TÜV Rheinland LGA Products GmbH - Tillystraße

E 2 – 90431 Nürnberg. (Registration No.:AE 50340757 0001)

Person who declares: Bill Evans

CE

07.1.2022

The Director



