



## **ORIGINAL INSTRUCTIONS**

# TABLE OF CONTENTS

## Welcome to Lumberjack!

Dear Customer, Congratulations on your purchase. Before using the product for the first time please be sure to read these instructions for use.

They provide you with all information necessary for using the product safely and to ensure its long service life.

Closely observe all safety information in these instructions!

<b>General Power Tool Safety Warnings.....</b>	<b>01</b>
<b>Symbols &amp; Tech Data.....</b>	<b>05</b>
<b>Machine Details .....</b>	<b>06</b>
<b>Operation.....</b>	<b>07</b>
<b>Maintenance .....</b>	<b>08</b>
<b>Lumberjack Guarantee.....</b>	<b>10</b>
<b>Declaration of Conformity.....</b>	<b>12</b>
<b>Parts List.....</b>	<b>13</b>
<b>Parts Diagram.....</b>	<b>15</b>

# GENERAL POWER TOOL SAFETY WARNINGS

**WARNING Read all safety warnings and all instructions.** Failure to follow the warnings and instructions may result in electric shock, fire and/or serious injury.

**Save all warnings and instructions for future reference.** The term "power tool" in the warnings refers to your electric (corded) power tool or battery-operated (cordless) power tool.

## 1. Work area safety

**a) Keep work area clean and well lit.** Cluttered or dark areas invite accidents.

**b) Do not operate power tools in explosive atmospheres, such as in the presence of flammable liquids, gases or dust.** Power tools create sparks which may ignite the dust or fumes.

**c) Keep children and bystanders away while operating a power tool.** Distractions can cause you to lose control.

## 2. Electrical safety

**a) Power tool plugs must match the outlet. Never modify the plug in any way. Do not use any adapter plugs with grounded power tools.** Unmodified plugs and matching outlets will reduce risk of electric shock.

**b) Avoid body contact with grounded surfaces, such as pipes, radiators, ranges and refrigerators.** There is an increased risk of electric shock if your body is grounded.

**c) Do not expose power tools to rain or wet conditions.** Water entering a power tool will increase the risk of electric shock.

**d) Do not abuse the cord. Never use the cord for carrying, pulling or unplugging the power tool. Keep cord away from heat, oil, sharp edges or moving parts.** Damaged or entangled cords increase the risk of electric shock.

**e) When operating a power tool outdoors, use an extension cord suitable for outdoor use.** Use of a cord suitable for outdoor use reduces the risk of electric shock.

**f) If operating a power tool in a damp location is unavoidable, use a residual current device (RCD) protected supply.** Use of an RCD reduces the risk of electric shock.

## 3. Personal safety

**a) Stay alert, watch what you are doing and use common sense when operating a power tool. Do not use a power tool while you are tired or under the influence of drugs, alcohol or medication.** A moment of inattention while operating power tools may result in serious personal injury.

**b) Use personal protective equipment. Always wear eye protection.** Protective equipment such as dust mask, non-skid safety shoes, hard hat, or hearing protection used for appropriate conditions will reduce personal injuries.

**c) Prevent unintentional starting. Ensure the switch is in the off position before connecting to power source and/or battery pack, picking up or carrying the tool.** Carrying power tools with your finger on the switch or energising power tools that have the switch on invites accidents.

**d) Remove any adjusting key or wrench before turning the power tool on.** A wrench or a key left attached to a rotating part of the power tool may result in personal injury.

# GENERAL POWER TOOL SAFETY WARNINGS

**e) Do not overreach. Keep proper footing and balance at all times.** This enables better control of the power tool in unexpected situations.

**f) Dress properly. Do not wear loose clothing or jewellery. Keep your hair, clothing and gloves away from moving parts.** Loose clothes, jewellery or long hair can be caught in moving parts.

**g) If devices are provided for the connection of dust extraction and collection facilities, ensure these are connected and properly used.** Use of dust collection can reduce dust-related hazards.

## 4. Power tool use and care

**a) Do not force the power tool. Use the correct power tool for your application.** The correct power tool will do the job better and safer at the rate for which it was designed.

**b) Do not use the power tool if the switch does not turn it on and off.** Any power tool that cannot be controlled with the switch is dangerous and must be repaired.

**c) Disconnect the plug from the power source and/or the battery pack from the power tool before making any adjustments, changing accessories, or storing power tools.** Such preventive safety measures reduce the risk of starting the power tool accidentally.

**d) Store idle power tools out of the reach of children and do not allow persons unfamiliar with the power tool or these instructions to operate the power tool.** Power tools are dangerous in the hands of untrained users.

**e) Maintain power tools. Check for misalignment or binding of moving parts, breakage of parts and any other condition that may affect the power tool's operation. If damaged, have the power tool repaired before use.** Many accidents are caused by poorly maintained power tools.

**f) Keep cutting tools sharp and clean.** Properly maintained cutting tools with sharp cutting edges are less likely to bind and are easier to control.

**g) Use the power tool, accessories and tool bits etc. in accordance with these instructions, taking into account the working conditions and the work to be performed.** Use of the power tool for operations different from those intended could result in a hazardous situation.

## 5. Service

**a) Have your power tool serviced by a qualified repair person using only identical replacement parts.** This will ensure that the safety of the power tool is maintained.

**b) If the replacement of the supply cord is necessary, this has to be done by the manufacturer or its agent in order to avoid a safety hazard.**

# GENERAL POWER TOOL SAFETY WARNINGS

## 6. Safety Warnings for Rotary Hammer

- a) Wear ear protectors with rotary hammers. Exposure to noise can cause hearing loss.
- b) Use auxiliary handles supplied with the tool. Loss of control can cause personal injury.
- c) Hold power tools by insulated gripping surfaces when performing an operation where the cutting tool may contact hidden wiring or its own cord. Contact with a “live” wire will make exposed metal parts of the tool “live” and shock the operator.
- d) Let bit cool before touching, changing or adjusting it. Bits heat up dramatically while in use, and can burn you.
- e) If the drill bit jams, release the trigger immediately; drill torque can cause injury or break bit.
- f) Maintain labels and nameplates on the tool. These carry important safety information. If unreadable or missing, Contact Lumberjack Tools for a replacement.
- g) Avoid unintentional starting. Prepare to begin work before turning on the tool.
- h) Do not lay the tool down until it has come to a complete stop. Moving parts can grab the surface and pull the tool out of your control.
- i) When using a handheld power tool, maintain a firm grip on the tool with both hands to resist starting torque.
- J) Do not leave the tool unattended when it is plugged into an electrical outlet. Turn off the tool, and unplug it from its electrical outlet before leaving.

k) This product is not a toy. Keep it out of reach of children.

l) People with pacemakers should consult their physician(s) before use. Electromagnetic fields in close proximity to heart pacemaker could cause pacemaker interference or pacemaker failure. In addition, people with pacemakers should:

- Avoid operating alone.
- Do not use with power switch locked on.
- Properly maintain and inspect to avoid electrical shock.
- Any power cord must be properly grounded. Ground Fault Circuit Interrupter(GFCI) should also be implemented – it prevents sustained electrical shock.

## 7. Safety Warnings for Drill

- a)When using the electric hammer chisel only use bits that are configured with the correct slots for this chuck.
- b)BEFORE STARTING the operation, jog the chisel switch to make sure the chisel bit does not wobble or vibrate.
- c)DO NOT USE fly cutters or multiple-part hole cutters, as they can come apart or become unbalanced in use.
- d)MAKE SURE the spindle has come to a complete stop before touching the chuck or attempting to change the chisel bit also beware that the bit will be hot, let it cool down before changing as it could burn and cause injury.
- e)ALWAYS MAKE SURE THE CHISEL IS FIRMLY SEATED IN THE HEX CHUCK before starting the job in hand.

# GENERAL POWER TOOL SAFETY WARNINGS

## 8. Safety Warnings for Vibration safety

This tool vibrates during use. Repeated or long-term exposure to vibration may cause temporary or permanent physical injury, particularly to the hands, arms and shoulders. To reduce the risk of vibration-related injury:

- a) Wear suitable gloves to reduce the vibration effects on the user.
- b) Use tools with the lowest vibration when there is a choice.
- c) Include vibration-free periods each day of work.
- d) To reduce vibration, maintain the tool as explained in this manual. If any abnormal vibration occurs, stop use immediately.

## 9. Using an Extension Cable.

- a) If an extension cable is required, use an approved triple core extension cable suitable for the power input of the tool.
- b) Grounded tools always require a three wire extension cable.
- c) As the distance from the supply outlet increases you must use a heavier gauge extension cable. Using extension cables with inadequately sized wire causes a serious drop in voltage, resulting in loss of power and possible tool damage.
- d) The smaller the gauge number of the wire the greater the capacity of the cord.
- e) When using a cable reel, always unwind the cable completely.

# SYMBOLS AND TECH SPEC



**Danger!** – Read the operating instructions to reduce the risk of injury.



**Caution!** Wear safety goggles.



**Caution!** Wear ear defenders. The impact of noise can cause damage to hearing.



**Caution!** Wear a dust mask.

# UK CA

## TECHNICAL DATA

<b>Input Voltage</b>	230-240V~, 50Hz
<b>Power</b>	1700W
<b>Hammer Impact Rate</b>	0 - 1900bpm
<b>Protection class</b>	II
<b>Impact Energy</b>	75J
<b>Net weight</b>	16.4kg

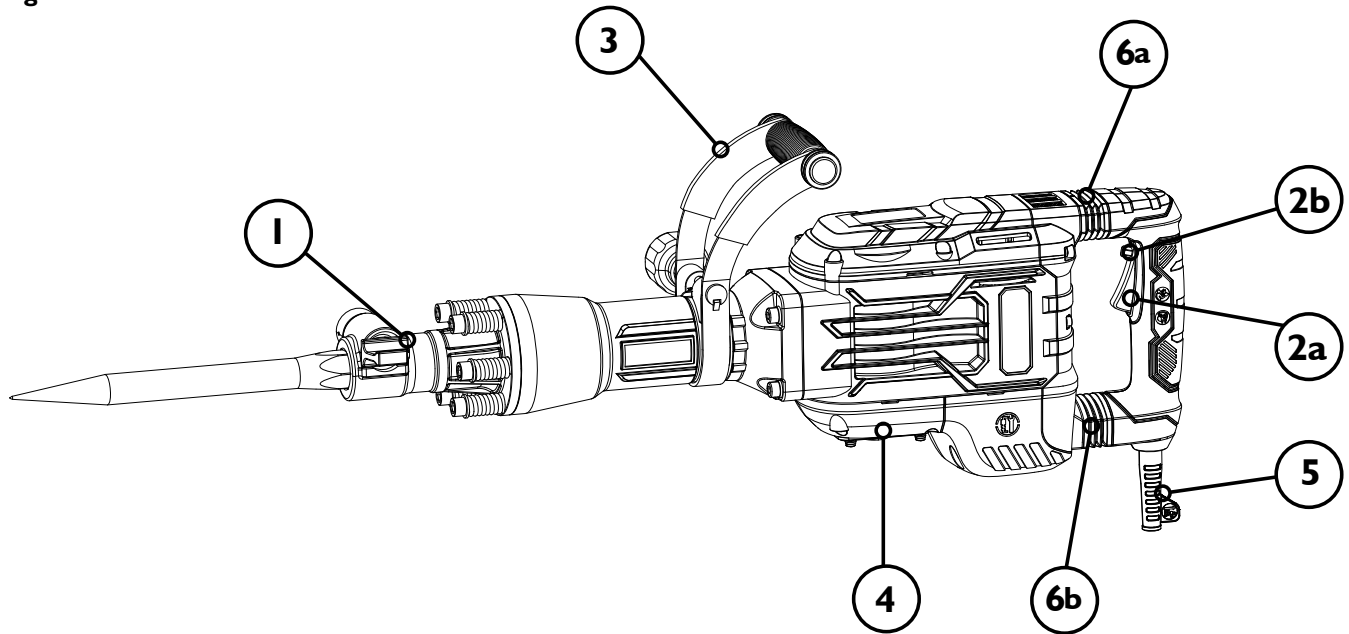
## NOISE INFORMATION

Noise emission values determined according to EN 60745-1 and EN 60745-2-6.

<b>A-Weighted Sound Pressure (LpA)</b>	93.2dB(A)
<b>A-Weighted Sound Level (LwA)</b>	104.6dB(A)
<b>K<sub>wA</sub></b>	3 dB (A)
<b>Wear ear protection when sound pressure is over 80 dB(A)</b>	

# MACHINE DETAILS

Fig. 1



- 1. 30MM HEX CHUCK
- 2a. ON/OFF TRIGGER
- 2b. LOCK-ON BUTTON
- 3. AUXILIARY HANDLE
- 4. OIL CAP
- 5. POWER CABLE
- 6a/6b. ANTIVIBRATION CONTROL DEVICE

Fig. 2

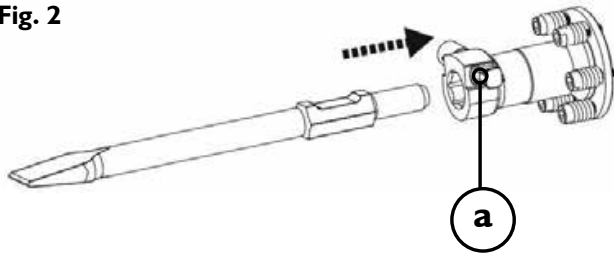


Fig. 3

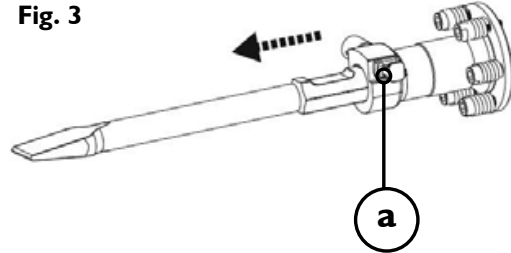
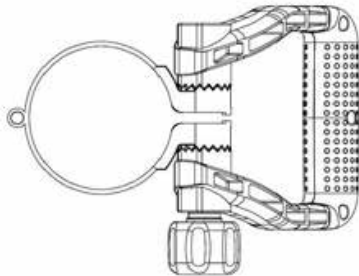


Fig. 4





# OPERATING INSTRUCTIONS

## Intended Use

This breaker is intended for chiseling in stone, brick and concrete.

The tool must not be modified or used for any other purposes than the ones described in these instructions.

- > Remove all packaging materials and transit supports where fitted.
- > Check the appliance, power cord and plug and any accessories for transport damage.
- > If parts are missing or damaged, please contact your dealer.
- > Retain the packing materials as long as possible until the end of the warranty period.
- > Dispose of packing materials in accordance with local statutory regulations.

## Replacing Bits



### WARNING!

Tool accessories can be very sharp and can become very hot during use - risk of personal injury.

- > Before any work on the machine itself, pull out the power plug.
- > The device is fitted with a 30mm HEX attachment system.
- > Place the tool on a suitable surface, for example a work bench.

## Inserting (see Fig. 2)

- > Clean tool bits and grease with a thin layer of machine grease before fitting.
- > Insert the chisel into the chuck and push it in as far as possible.
- > Pull out the locking bolt (a) as far as possible, turn it through 180° and release it to lock the chisel into the chuck.

## Removing (see Fig. 3)

- > Pull out the locking bolt (a) again, turn it through 180° and remove the chisel.

## Auxiliary Handle (see Fig. 4)

- > Use the machine only with the auxiliary handle (3).
- > Loosen the handle by turning anti-clockwise. Rotate the auxiliary handle (3) to the desired working position and re-tighten the handle firmly.

## Initial Operation

- > Do not drill in blind areas where there could be hidden electric, gas or water lines. Use the appropriate detectors to find these lines in the work area or call the local utility company for assistance.
- > Contact with an electric line may cause fire or electric shock. Striking a gas line will probably result in an explosion.
- > Breaking into a water pipe will cause property damage or may cause an electric shock.



## WARNING!

Hold electric tools by their insulated handles whenever there is the possibility of touching hidden wires or the tools own power cord while using them.

Touching a “live” wire can transfer the voltage to the exposed metal parts of the tool and give the operator an electric shock.

Always use the correct voltage: the voltage of the power source must agree with the values on the rating plate of the machine.

## On/Off Trigger (2A)

### Switching on

- > Press the On/Off trigger to start the tool.

### Switching off

- > Release the On/Off trigger to stop the tool.

## Constant Speed

Activating the lock feature:

- > Gradually squeeze the ON/OFF trigger (2A) of the power switch until fully retracted.
- > Press in the locking button (2B).
- > Release pressure on the ON/OFF trigger. The tool is now locked at a constant speed without having to maintain pressure on the power switch.

To release the lock:

- > Apply pressure to the ON/OFF trigger.
- > The locking button will automatically release. m

Release pressure on the ON/OFF trigger. The tool will come to a stop.

## Maintenance



## WARNING!

Switch off the tool and disconnect the power before cleaning and maintenance – risk of electric shock and accidental start.

- > Wipe the tool with a dry or damp cloth.
  - Do not use a wet cloth. Do not use detergent that contains solvent or corrosive, abrasive additives – risk of damaging the surface.
- > Keep the ventilation openings open – risk of overheating.
- > Clear the tool vents and the SDS HEX chuck of dust and dirt after each use. Do not clean ventilation holes by inserting sharp objects in them, such as screwdrivers and other similar objects.
- > Stubborn contamination in areas hard to access can be removed with compressed air (max 3. bar).
- > Regularly check all fasteners, screws and bolts to make sure that they are tight. Tighten any loose screws immediately – serious injury could occur.
- > If the power cord becomes damaged and replacement is necessary, this must be carried out by an authorised warranty agent.



## WARNING!

Never open the tool. The tool has no internal parts that the user can service or repair. Never try to repair the tool yourself. Take to an authorised service centre.

- > If the carbon brushes require replacement, this must be performed by an authorised warranty agent.
- > After use, inspect the tool to ensure it is in top condition. It is recommended that you take this tool to the Authorised Service Centre for a thorough cleaning and re-lubrication at least once a year.

# TROUBLESHOOTING

Trouble	Probable cause	Remedy
Tool will not start	<ol style="list-style-type: none"> <li>1. Cord not connected.</li> <li>2. No power at outlet.</li> <li>3. Tool's thermal reset breaker tripped(if equipped).</li> <li>4. Internal damage or wear.(Carbon brushes or switch, for example)</li> </ol>	<ol style="list-style-type: none"> <li>1. Check that cord is plugged in.</li> <li>2. Check power at outlet. If outlet is unpowered, turn off and check circuit breaker. If breaker is tripped, make sure circuit is right capacity for tool and circuit has no other loads.</li> <li>3. Turn off tool and allow to cool. Press reset button on tool.</li> <li>4. Have technician service tool.</li> </ol>
Tool operates slowly	<ol style="list-style-type: none"> <li>1. Excess pressure applied to workpiece.</li> <li>2. Power being reduced by long or small diameter extension cord.</li> </ol>	<ol style="list-style-type: none"> <li>1. Decrease pressure, allow tool to do the work.</li> <li>2. Eliminate use of extension cord. If an extension cord is needed, use one with the proper diameter for its length and load. See Extension Cords in GROUNDING section.</li> </ol>
Performance decreases over time	Carbon brushes worn or damaged.	Have qualified technician replace brushes.
Excessive noise or rattling	Internal damage or wear.(Carbon brushes or bearings, for example.)	Have technician service tool.
Overheating. GROUNDING section.	<ol style="list-style-type: none"> <li>1. Forcing tool to work too fast.</li> <li>2. Blocked motor housing vents.</li> <li>3. Motor being strained by long or small diameter extension cord.</li> </ol>	<ol style="list-style-type: none"> <li>1. Allow tool to work at its own rate.</li> <li>2. Wear ANSI-approved safety goggles and NIOSH-approved dust mask/respirator while blowing dust out of motor using compressed air.</li> <li>3. Eliminate use of extension cord. If an extension cord is needed, use one with the proper diameter for its length and load. See Extension Cords in GROUNDING section.</li> </ol>

# LUMBERJACK GUARANTEE

## 1. Guarantee

**1.1** Lumberjack guarantees that for a period of 12 months from the date of purchase the components of qualifying products (see clauses 1.2.1 to 1.2.8) will be free from defects caused by faulty construction or manufacture.

**1.2.** During this period Lumberjack, will repair or replace free of charge any parts which are proved to be faulty in accordance with paragraph 1.1 providing that:

**1.2.1** You follow the claims procedure set out in clause 2

**1.2.2** Lumberjack and its authorised dealers are given reasonable opportunity after receiving notice of the claim to examine the product

**1.2.3** If asked to do so by Lumberjack or its Authorised dealer, you return the product at your own cost to Lumberjack's or supplying Authorised Dealer's premises, for the examination to take place clearly stating the Returns Material Authorisation number given by Lumberjack or an Authorised Dealer.

**1.2.4** The fault in question is not caused by industrial use, accidental damage, fair wear and tear, wilful damage, neglect, incorrect electrical connection, misuse, or alteration or repair of the product without approval.

**1.2.5** The product has been used in a domestic environment only

**1.2.6** The fault does not relate to consumable items such as blades, bearings, drive belts, or other wearing parts which can reasonably be expected to wear at different rates depending on usage.

**1.2.7** The product has not been used for hire purposes.

**1.2.8** The product has been purchased by you as the guarantee is not transferable from a private sale.

## 2. Claims Procedure

**2.1** In the first instance please contact the Authorised Dealer who supplied the product to you. In our experience many initial problems with machines that are thought to be faulty due to faulty parts are actually solved by correct setting up or adjustment of the machine. A good Authorised Dealer should be able to resolve the majority of these issues much more quickly than processing a claim under the guarantee. If a return is requested by the Authorised Dealer or Lumberjack, you will be provided with a Returns Material Authorisation number which must be clearly stated on the returned package, and any accompanying correspondence. Failure to provide a Returns Material Authorisation number may result in item being refused delivery at Authorised Dealer.

**2.2** Any issues with the product resulting in a potential claim under the guarantee must be reported to the Authorised Dealer from which it was purchased within 48 hours of Receipt.

**2.3** If the Authorised Dealer who supplied the product to you has been unable to satisfy your query, any claims made under this Guarantee should be made directly to Lumberjack. The Claim itself should be made in a letter setting out the date and place of purchase, giving a brief explanation of the problem which has led to the claim. This letter should be then sent with proof

# LUMBERJACK GUARANTEE

of purchase to Lumberjack. If you include a contact number with this it will speed your claim up.

**2.4** Please note that it is essential that the letter of claim reaches Lumberjack on the last day of this Guarantee at the latest. Late claims will not be considered.

## **3. Limitation of Liability**

**3.1** We only supply products for domestic and private use. You agree not to use the product for any commercial, business or resale purposes and we have no liability to you for any loss of profit, loss of business, business interruption or loss of business opportunity.

**3.2** This Guarantee does not confer any rights other than these expressly set out above and does not cover any claims for consequential loss or damage. This Guarantee is offered as an extra benefit and does not affect your statutory rights as a consumer.

## **4. Notice**

This Guarantee applies to all product purchased from an Authorised Dealer of Lumberjack within the United Kingdom. Terms of Guarantee may vary in other countries.

We Importer:  
**TOOLSAVE LTD**

Unit C, Manders Ind. Est.,  
Old Heath Road, Wolverhampton,  
WV1 2RP.

Declare that the product:

**Designation: DEMILITION HAMMER BREAKER  
Model: DHB1700**

Complies with the following Directives:

**2008 No. 1597** The Supply of Machinery (Safety) Regulations 2008

**2016 No. 1091** The Electromagnetic Compatibility Regulations 2016

**2012 No. 3032** The Restriction of the Use of Certain Hazardous Substances in

Standards & technical specifications referred to:

**EN 60745-1:2009+A11 / EN 60745-2-6:2010 / EN 55014-1:2017 /**

**EN 55014-2:2015 / EN 61000-3-2:2014 / EN 61000-3-11:2000**

**Authorized Technical File Holder: Bill Evans**

**18/08/2023**

**The Director**



## Parts List

No	Description	Qt
1	Lock rod	1
2	O-Ring 18*8	2
3	Iron Head	1
4	Ram Hammer cover	1
5	round pin $\Phi 5 \times 32$	2
6	Lock rod Spring	1
7	Lock rod washer	1
8	Inner hexagon screw M10*55	6
9	Flat Washer 10	6
10	Iron Head Spring $\Phi 10.5 \times \Phi 3.8 \times 5 \times 26$	6
11	Lock rod set	1
12	O-Ring 60*2.3	1
13	Impact hammer rod	1
14	Hammer Washer	1
15	Damping Washer	1
16	Locating seat	1
17	Cylinder	1
18	Cylinder case	1
19	Inner hexagon screw M8*40	4
20	paper plate	1
21	Hammer	1
22	O-Ring 45*5	2
23	Piston Pin	1
24	Piston	1
25	Connecting rod	1
26	Needle bearing HK1816-YG	1
27	Crank shaft	1
28	Gear Box	1
29	seal ring	1

No	Description	Qt
51	flat washer	4
52	Damper board	2
53	Damper spring $\Phi 10.5 \times 1.6 \times 28 \times 6$	2
54	Damper screw M8X43	4
55	Self-tapping screw M5*16	4
56	Damper Sleeve A	1
57	Damper spring $\Phi 10.5 \times 1.6 \times 28 \times 6$	2
58	Damper Sleeve B	1
59	Left handle	1
60	right handle	1
61	switch	1
62	Capacitance	1
63	Cable Board	1
64	Cable cover	1
65	Cable	1
66	Self-tapping screw ST3.9*16	7
67	rotor	1
68	washer 12.1*31*0.5	1
69	bearing 6201-RS	1
70	Stator	1
71	spring	2
72	Self-tapping screw ST4.8*65	2
73	Fan Deflector	1
74	motor housing	1
75	glass tube	1
76	carbon brush holder	2
77	coil spring	2
78	carbon brush	2
79	Self-tapping screw ST3.9*12	2

## Parts List

30	Bearing 6205-RS	1
31	Bearing board	1
32	Inner hexagon screw M5*22	7
33	space ring	1
34	Pin4*6.5*16	2
35	Big gear 61 teeth	1
36	Ring 22	1
37	Bearing 6302-RS	1
38	Gear cover	1
39	Inner hexagon screw M6*25	10
40	Bearing 6201-RS	1
41	middle gear	1
42	Inner hexagon screw M6*14	2
43	bearing 6001-RS	1
44	small bearing board	1
45	bearing washer Φ31.5*Φ40*2	1
46	bearing 6203-RS	1
47	fixed steel sleeve	2
48	Piston Pin	1
49	Gex Nut M8	4
50	hand seat	1

80	Inner hexagon screw M5*35	2
81	back cover	1
82	Self-tapping screw ST4.8*18	6
83	Inner hexagon screw M5*45	2
84	oil seal ring	1
85	oil cavity	1
86	oil cover washer	1
87	oil oover	1
88	o-ring 19*3	1
89	nut	1
90	knob	1
91	handle retaining block	2
92	handle rack	1
93	Knob bolt	1
94	rubber sleeve	2
95	Auxiliary Handle	1
96	Handle wsher	2
97	round pin Φ3*23	2
98	Handle shaft sleeve	2



# Parts Diagram

