



SAFETY AND OPERATING MANUAL

Electric Pressure Washer

EPW1800



ORIGINAL INSTRUCTIONS



EPW1800

Welcome to Gardenjack!

Dear Customer, Congratulations on your purchase. Before using the Product for the first time please be sure to read these instructions for use. They provide you with all information necessary for using the product safely and to ensure its long service life.

Closely observe all safety information in these instructions!

General Safety Warnings.....	01 - 02
Safety Symbols	03
Machine Details and Product Includes.....	04
Assembly.....	05
Pressure Washer Operation.....	06 - 07
Vacuum Operation & Care / Maintenance.....	08
Troubleshoot.....	09
Gardenjack Guarantee.....	10
Gardenjack Guarantee & EC Declaration.....	11
Declaration.....	12
Parts Diagram.....	13
Parts List.....	14

GENERAL SAFETY WARNINGS

WARNING Read all safety warnings and all instructions. Failure to follow the warnings and instructions may result in electric shock, fire and/or serious injury.

Save all warnings and instructions for future reference. The term "power tool" in the warnings refers to your electric (corded) power tool or battery-operated (cordless) power tool.

1. Work area safety

a) Keep work area clean and well lit. Cluttered or dark areas invite accidents.

b) Do not operate power tools in explosive atmospheres, such as in the presence of flammable liquids, gases or dust. Power tools create sparks which may ignite the dust or fumes.

c) Keep children and bystanders away while operating a power tool. Distractions can cause you to lose control.

2. Electrical safety

a) Power tool plugs must match the outlet. Never modify the plug in any way. Do not use any adapter plugs with grounded power tools. Unmodified plugs and matching outlets will reduce risk of electric shock.

b) Avoid body contact with grounded surfaces, such as pipes, radiators, ranges and refrigerators. There is an increased risk of electric shock if your body is grounded.

c) Do not expose power tools to rain or wet conditions. Water entering a power tool will increase the risk of electric shock.

d) Do not abuse the cord. Never use the cord for carrying, pulling or unplugging the power tool. Keep cord away from heat, oil, sharp edges or moving parts. Damaged or entangled cords increase the risk of electric shock.

e) When operating a power tool outdoors, use an extension cord suitable for outdoor use. Use of a cord suitable for outdoor use reduces the risk of electric shock.

f) If operating a power tool in a damp location is unavoidable, use a residual current device (RCD) protected supply. Use of an RCD reduces the risk of electric shock.

3. Personal safety

a) Stay alert, watch what you are doing and use common sense when operating a power tool. Do not use a power tool while you are tired or under the influence of drugs, alcohol or medication. A moment of inattention while operating power tools may result in serious personal injury.

b) Use personal protective equipment. Always wear eye protection. Protective equipment such as dust mask, non-skid safety shoes, hard hat, or hearing protection used for appropriate conditions will reduce personal injuries.

c) Prevent unintentional starting. Ensure the switch is in the off position before connecting to power source and/or battery pack, picking up or carrying the tool. Carrying power tools with your finger on the switch or energising power tools that have the switch on invites accidents.

d) Remove any adjusting key or wrench before turning the power tool on. A wrench or a key left attached to a rotating part of the power tool may result in personal injury.

GENERAL SAFETY WARNINGS

e) Do not over reach. Keep proper footing and balance at all times. This enables better control of the power tool in unexpected situations.

f) Dress properly. Do not wear loose clothing or jewellery. Keep your hair, clothing and gloves away from moving parts. Loose clothes, jewellery or long hair can be caught in moving parts.

4. Power tool use and care

a) Do not force the power tool. Use the correct power tool for your application. The correct power tool will do the job better and safer at the rate for which it was designed.

b) Do not use the power tool if the switch does not turn it on and off. Any power tool that cannot be controlled with the switch is dangerous and must be repaired.

c) Disconnect the plug from the power source and/or the battery pack from the power tool before making any adjustments, changing accessories, or storing power tools. Such preventive safety measures reduce the risk of starting the power tool accidentally.

d) Store idle power tools out of the reach of children and do not allow persons unfamiliar with the power tool or these instructions to operate the power tool. Power tools are dangerous in the hands of untrained users.

e) Maintain power tools. Check for misalignment or binding of moving parts, breakage of parts and any other condition that may affect the power tool's operation. If damaged, have the power tool repaired before use. Many accidents are caused by poorly maintained power tools.




f) Use the power tool, accessories and tool bits etc. in accordance with these instructions, taking into account the working conditions and the work to be performed. Use of the power tool for operations different from those intended could result in a hazardous situation.

5. Service

a) Have your power tool serviced by a qualified repair person using only identical replacement parts. This will ensure that the safety of the power tool is maintained.

b) If the replacement of the supply cord is necessary, this has to be done by the manufacturer or its agent in order to avoid a safety hazard.

SAFETY SYMBOLS

SYMBOL	DESCRIPTION
	Read the manual before set-up and/or use.
	Do not dispose with house-hold waste.
	Conforms to relevant safety standards.

MACHINE DETAILS AND PRODUCT INCLUDES

Technical Specifications:

Power Output: 1800W
Voltage: 220V 50Hz
Rated Pressure: 100bar
Max Pressure: 140bar 2030 PSI
Rated Flow: 6L/min
Max Flow: 7L/min

Max Water Inlet
Pressure: 1.2 MPa

Max Water Inlet
Temperature: 50°C

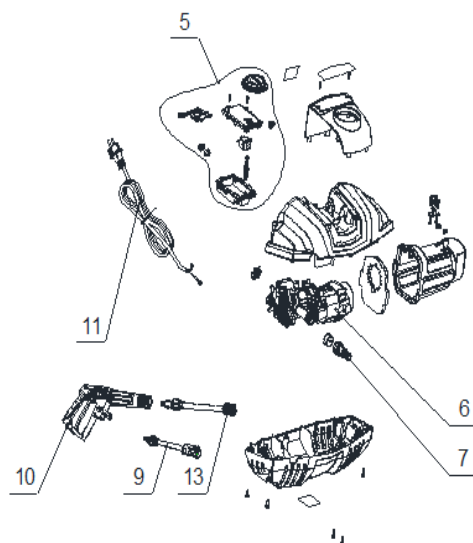
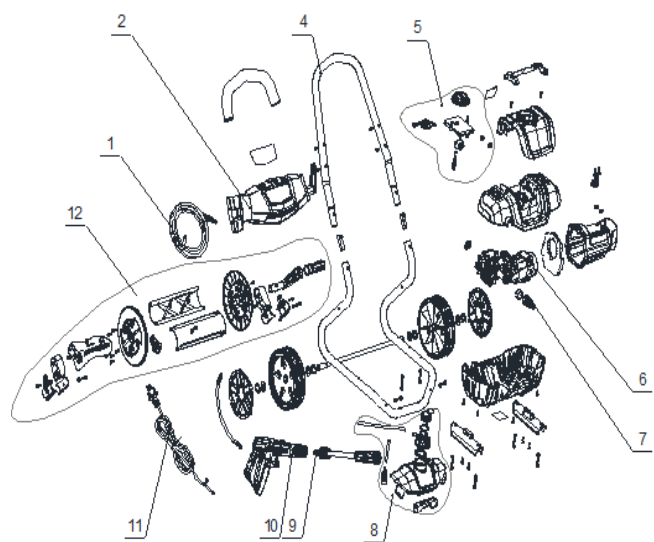
Dimensions: 889 x 508 x 635mm
Weight: 14kg



Sound power level is 92dB(A)

Included:

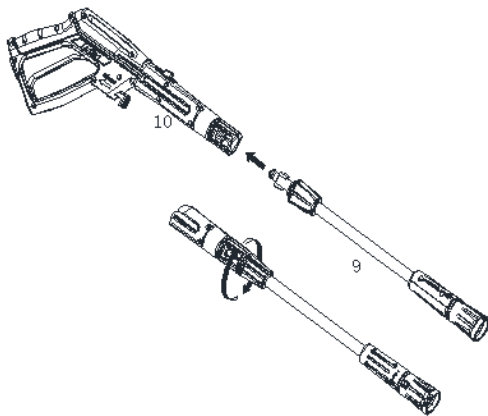
1. High Pressure Hose
2. Accessories Hook
3. High Pressure House Hook
4. Handle
5. Switch Assembly
6. Motor Pump
7. Water Inlet Connector
8. Soap Bottle Assembly
9. Adjustable Nozzle
10. Gun
11. Power Cord
12. Hose Reel Assembly
13. Extension Wand



Assembly Instructions

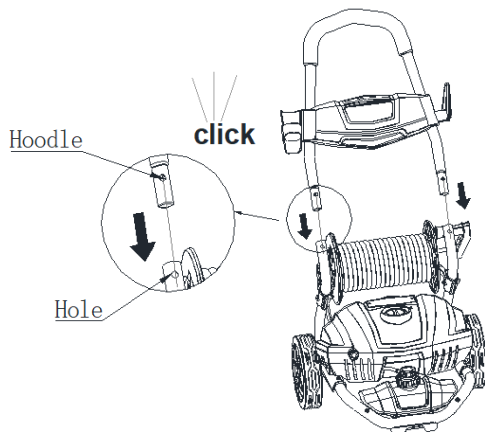
1. Install the spray wand to the trigger gun

Insert the adjustable spray wand (9) into the trigger gun (10). Push and turn the adjustable nozzle clockwise onto the trigger gun (10) until hand tight to lock it in place. When the pieces are joined properly, you cannot separate the two components by pulling straight out on the adjustable nozzle. All attachments must be inserted into the gun for proper use.



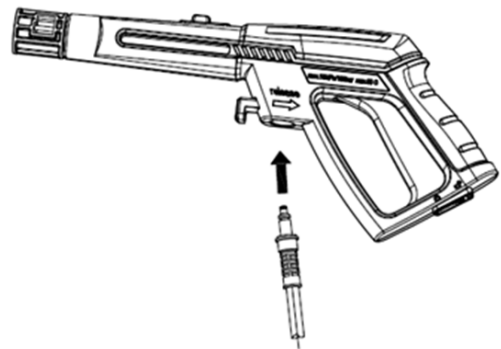
2. Join the handle assembly

Insert the two ends of the handle assembly into the two holes at the top of the base as shown. Press the hoodle until it is inserted into the hoodle hole, and the handle is fixed when you hear a "CLICK" sound.



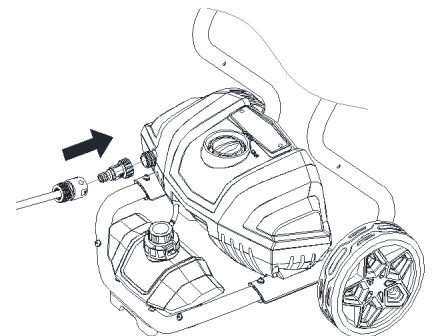
3. Attach the high pressure hose to the trigger gun

Attach the high pressure hose to the gun. Insert and quick-connect it tight to avoid leakage. When the pieces are joined properly, you cannot separate the two components by pulling straight out from the gun. Push the hose lock button, then you can pull out high pressure hose.



4. Attach the high pressure hose to the pressure washer

Attach the hose connector to pressure washer. Before attaching the connector to the male fitting, remove the plastic cap, which is inserted onto the male fitting on the pressure washer before shipping. This plastic cap can be discarded once removed. After both components have been installed, attach the garden hose with connector screw on the pressure washer. Connect the garden hose to the waterspout.



Operating Instructions

Starting Up.

Warning: ALWAYS turn off the unit's motor BEFORE turning off the unit's water supply.

Serious damage could occur to the motor if the unit is run without water.

1. Turn on the water supply tap fully.
2. Unlock trigger (by pressing the safety button first and then actuate the trigger) for a few seconds; let the water flow out from the nozzle.
3. Check if water leaks from joints. If it does, please reconnect the water hose, the spray gun or the lance to make sure each accessory is connected correctly.
4. Connect to power supply.
5. Set the power switch at the position "I"

Stopping the washer

Warning: ALWAYS turn off the unit's motor BEFORE turning off the unit's water supply.

Serious damage could occur to the motor if the unit is run without water.

1. Release the trigger, the motor will stop operation.
2. Set the switch at the position "O".
3. Disconnect the plug from the socket.

WARNING! Failure to follow the above instructions may cause damage to the machine.

Changing accessories

1. Release the trigger.
2. Turn off the power switch (the position "O").
3. Disassemble the original adjustable Nozzle.
4. Mount the adjustable Nozzle and Detergent Bottle.

CAUTION: Never disconnect the high - pressure discharge hose from the machine while the system is still pressurised. To depressurise the unit, turn off the motor, turn off the water supply and squeeze the trigger 2-3 times.

Operating Instructions

1. Safety valve and/or pressure limiting valve

Warning!

Do not tamper with or adjust the safety valve setting.

The safety valve is also a pressure limiting valve. When the gun trigger is released, the valve opens, pressure switch action, the machine automatically shut down. If the gun nozzle is blocked, the machine pressure rises and the safety valve opens the pressure switch action and the machine automatically shut down. You can refer to the following point 7 to use a needle to clean the nozzle.

2. Automatic On/Off

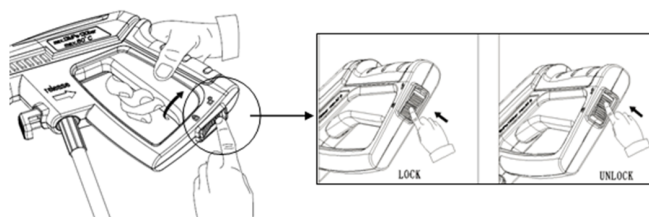
The pressure cleaner is equipped with an automatic on/off switch. The pressure cleaner will only run when the power switch is in the ON position and the trigger on the gun is squeezed. When you release the trigger to stop spraying water through the gun, the motor on the pressure cleaner will automatically shut off. Simply squeeze the trigger again to resume using the cleaner. To stop using the pressure cleaner, release the trigger and switch the unit to the OFF position. The unit should be turned completely OFF while not in use or while unattended.

3. Hold the gun

It is very important to bleed the gun before using the pressure cleaner. Refer to the "Assembly Instructions" to assemble the pressure cleaner. To bleed the gun, simply connect the garden hose to the pressure cleaner and squeeze the trigger BEFORE turning the electrical supply on. This allows any air trapped inside the pressure cleaner and gun to be removed before using the unit. Continue holding trigger for approximately one minute to allow any excess air out of the unit. Water will flow through the gun at low pressure during this procedure. For more bleeding tips, see the section titled "Operating Instructions."

4. Gun Safety Lock

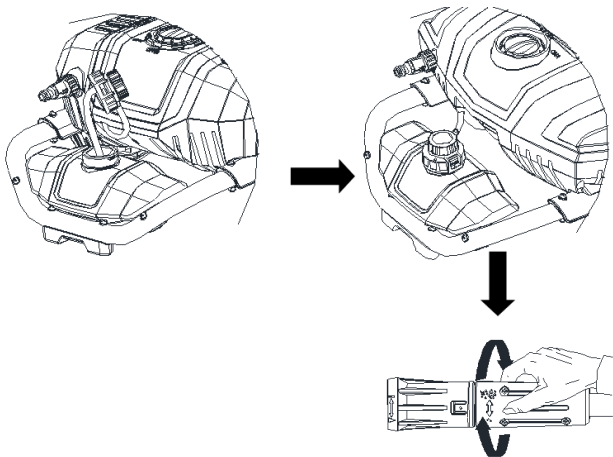
This pressure cleaner is equipped with a gun trigger safety lock. When not using the pressure cleaner, use the safety lock to keep from accidentally engaging the high pressure spray.



Operating Instructions

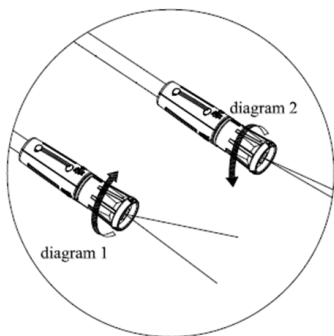
5. Using cleaning agent

- Fill detergent tank with an appropriate cleaning agent.
- The cleaning agent automatically comes out when being set to low-pressure water jet by turning pressure adjusting ring of variable nozzle lance.



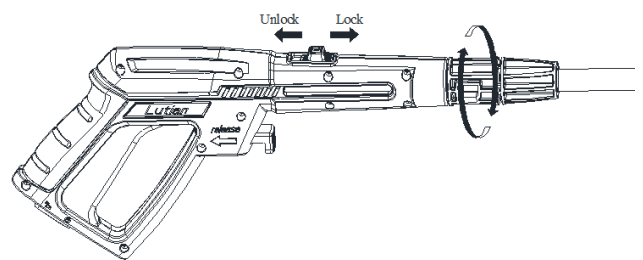
6. Adjustable Spray Nozzle

The adjustable nozzle will allow you to use any variety of spray patterns from a full fan spray (Diagram 1) to a direct stream spray (Diagram 2). When using the pressure washer to clean wood decks, siding, vehicles etc., always start using the fan spray and begin spraying from a minimum 36" away to avoid damaging the surface of the material you are cleaning. Always begin by spraying in a testing area free and clear of people and objects.



7. Rotate The Gun

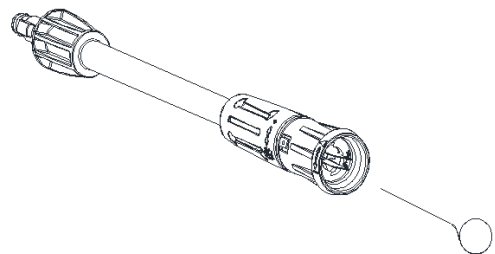
The gun rotating will adjust your cleaning angle during a full fan spray pattern, to make every user find its most comfortable and efficient cleaning position. Push the button to "unlock" side, the rotating function will be opened. And push the button to "unlock" side if you don't need this function.



8. Unblock lance

When the nozzle is clogged, it will cause the pump to build pressure and may cause unit to surge, you can clean the nozzle inserting needle into the tip to rid of the deposits.

For the adjustable nozzle, you can lubricate the nozzle collar (high pressure to low pressure) by using non-water soluble grease regularly.



TROUBLESHOOTING

Turn off the appliance and remove the main plug prior to performing any care and maintenance work. Repair work and work on the electrical components may not only be performed by an authorised customer service. You can rectify minor faults yourself with the help of the following overview. If in doubt, please consult the authorised customer service.

Symptom	Cause	Recommended action
Machine refuses to start	Machine not plugged in Defective socket Fuse has blown Defective extension cord	Plug in machine Try another socket. Replace fuse. Switch off other machines. Try without the extension cord.
Fluctuating pressure	Pump sucking air Valves dirty, worn out or stuck Pump seals worn out	Check that hoses and connections are airtight. Clean and replace or refer to local distributor Clean and replace or refer to local distributor
Machine stops	Incorrect mains voltage Thermal sensor activated Nozzle partially blocked	Check that the mains voltage corresponds to specification on the model tag. Leave the washer for 5 minutes to cool down. Clean the nozzle
Machine pulsating	Air in inlet hose Inadequate supply of mains water Nozzle partially blocked Water filter blocked Hose kinked	Allow machine to run with open trigger until regular working pressure resumes. Check that the water supply corresponds to specifications required NB! Avoid using long, thin hoses (min. 1/2"). Clean the nozzle /Clean the filter. Straighten out hose.
Machine starts, but no water comes out	Pump/hoses or accessory frozen No water supply Water filter blocked /Nozzle blocked	Wait for pump/hoses or accessory to thaw. Connect inlet water. Clean the filter /Clean the nozzle

GARDENJACK GUARANTEE

1. Guarantee

1.1 Lumberjack guarantees be free from defects caused by faulty construction or manufacture. **1.2.** During this period Lumberjack, will repair or replace free of charge any parts which are proved to be faulty in accordance with paragraph 1.1 providing that: **1.2.1** You follow the claims procedure set out in clause 2 **1.2.2** Lumberjack and its authorised dealers are given reasonable opportunity after receiving notice of the claim to examine the product **1.2.3** If asked to do so by Lumberjack or its Authorised dealer, you return the product at your own cost to Lumberjack's or supplying Authorised

Dealer's premises, for the examination to take place clearly stating the Returns Material Authorisation number given by Lumberjack or an Authorised Dealer.

1.2.4 The fault in question is not caused by industrial use, accidental damage, fair wear and tear, wilful damage, neglect, incorrect electrical connection, misuse, or alteration or repair of the product without approval. **1.2.5** The product has been used in a domestic environment only **1.2.6** The fault does not relate to consumable items such as blades, bearings, drive belts, or other wearing parts which can reasonably be expected to wear at different rates depending on usage.

1.2.7 The product has not been used for hire purposes. **1.2.8** The product has been purchased by you as the guarantee is not transferable from a private sale. **2. Claims Procedure****2.1** In the first instance please contact the Authorised Dealer who supplied the product to you. In our experience many initial problems with machines that are thought to be faulty due to faulty parts are actually solved by correct setting up or adjustment of the machine. A good Authorised Dealer should be able to resolve the majority of these issues much more quickly than processing a claim under the guarantee. If a return is requested by the Authorised Dealer or Lumberjack, you will be provided with a Returns Material Authorisation number which must be clearly stated on the returned package, and any accompanying correspondence. Failure to provide a Returns Material Authorisation number may result in item being refused delivery at Authorised Dealer. **2.2** Any issues with the product resulting in a potential claim under the guarantee must be reported to the Authorised Dealer from which it was purchased within 48 hours of Receipt. **2.3** If the Authorised Dealer who supplied the product to you has been unable to satisfy your query, any claims made under this Guarantee should be made directly to Lumberjack.

of purchase to Lumberjack. If you include a contact number with this it will speed your claim up.

2.4 Please note that it is essential that the letter of claim reaches Lumberjack on the last day of this Guarantee at the latest. Late claims will not be considered.

3. Limitation of Liability

3.1 We only supply products for domestic and private use. You agree not to use the product for any commercial, business or resale purposes and we have no liability to you for any loss of profit, loss of business, business interruption or loss of business opportunity.

3.2 This Guarantee does not confer any rights other than these expressly set out above and does not cover any claims for consequential loss or damage. This Guarantee is offered as an extra benefit and does not affect your statutory rights as a consumer.

4. Notice

This Guarantee applies to all product purchased from an Authorised Dealer of Lumberjack within the United Kingdom. Terms of Guarantee may vary in other countries.

EC DECLARATION OF CONFORMITY

We hereby declare that the machine described below complies with the relevant basic safety Directives, both in its basic design and construction as well as in the version put into circulation by us. This declaration shall cease to be valid if the machine is modified without our prior approval.

2000/14/EC

2014/30/EU

2006/42/EC

2011/65/EU

Type of instrument: Pressure Washer
LT510-1600A (B) / LT510-1800A (B) /
LT511-1600A (B) / LT511-1800A (B) /
LT511-1600MINI

Applicable EU directives:

- EU Machinery Directive 2006/42 / EC
- EU Low Voltage Directive 2014/35 / EU
- EU directive on electromagnetic compatibility 2014/30 / EC
- Noise & Vibration ISO 3744 & ISO5349

Measured sound power level: 87.5 dB

Guaranteed sound power level: 91 dB

The undersigned act on behalf and under the power of attorney of the company management.

Authorised Documentation

Representative

CE DECLARATION OF CONFORMITY

GARDENJACK

Unit C, Manders Ind. Est.,
Old Heath Road, Wolverhampton,
WV1 2RP.

Tel: 01902 450 470

Declares that the **ELECTRIC PRESSURE WASHER (EPW1800)**
Is in compliance with the regulations included in the Directives: 2014/35/EU

EC DECLARATION OF CONFORMITY

Certificate for EC-type examination delivered by Intertek Testing Services Hangzhou – 16 No. 1 Ave.,
Xiasha Economic Development District, Hangzhou 310018, China (Registration No.:190900418HZH-
V1)

Person who declares: Bill Evans

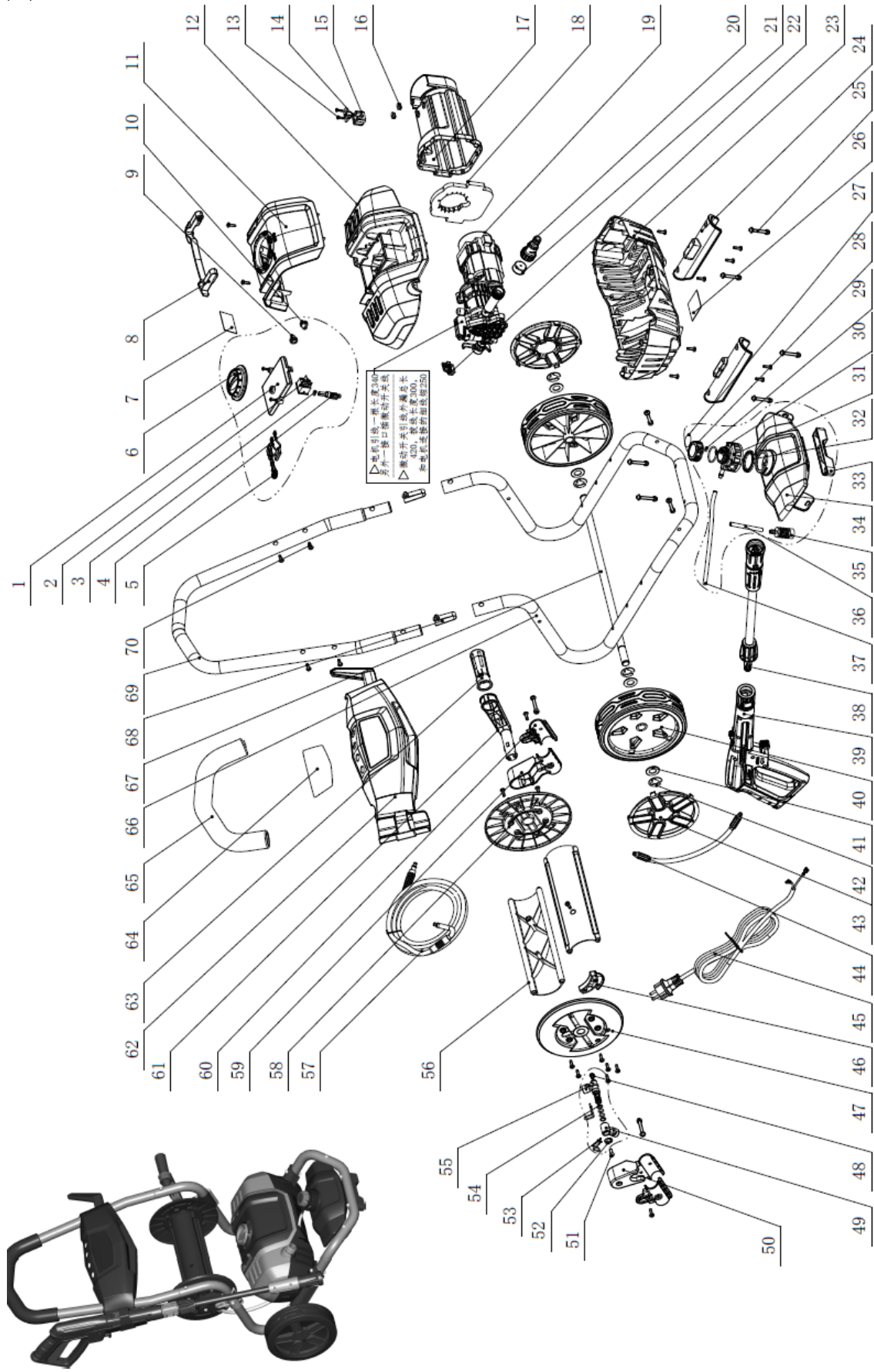


07.04.2021

The Director

A handwritten signature in black ink, appearing to be 'Bill Evans', written over a faint, illegible stamp or background.

Parts Diagram



Parts List

1. Switch Cover
2. Main Switch
3. O-Ring 8*2
4. Switch Lever
5. Capacitive Induction Assembly
6. Switch Knob
7. Warning Label
8. Handle
9. Wire hook
10. Wire Shelf
11. Decorating Plate
12. Upper Shelf
13. Screw ST3.5x13F
14. Power Line Plate
15. Power Cord
16. Waterproof Ring
17. Fan Cover
18. Strainer
19. Motor
20. Inlet Nut Assembly
21. Thread Protective Sleeve
22. Button
23. Lower Shelf
24. Motor Seat
25. Bolt & Nut
26. Label
27. Bottle Cap Label
28. Fluid Knob
29. O-Ring 6*1.8
30. O-Ring 5*2.65
31. Fluid Seat
32. Sealing
33. Rubber Frame
34. Soap Bottle
35. Suction Strainer
36. Internal Suction Pipe
37. External Suction Pipe
38. Gun Lance
39. Gun Handle
40. Wheel
41. Plain Washer
42. Split Washer D15
43. Wheel Cap
44. Pressure Hose
45. Power Cord
46. High Pressure Tube
47. Left End Plate Wheel Coil
48. Screw M6*8
49. Outer Joint Wheel Coil
50. Left Seat Wheel Coil
51. Screw M6*14
52. Split Washer
53. Pipe Reel Coupling Clamp Pin
54. Rubber Gasket
55. Inner Joint Of Coil Tube
56. Middle Coil Plate
57. Elbow High Pressure Pipe
58. Right End Wheel Coil
59. Right Seat Wheel Coil
60. Press Plate Wheel Coil
61. Roll Wheel Crank Handle
62. Attachment Frame
63. Roller Rocker
64. Label
65. Handle Sleeve
66. Stent Tube
67. Axle
68. Handle Lock
69. Handle
70. Screw ST4.8X16