



**SAFETY AND OPERATING MANUAL**  
**Premium 1800W Heat Gun**  
**HG1800**



# ORIGINAL INSTRUCTIONS



**HG1800**

# TABLE OF CONTENTS

## Welcome to Lumberjack!

Dear customer, Congratulations on your purchase. Before using the Product for the first time please be sure to read these instructions for use. They provide you with all information necessary for using the product safely and to ensure its long service life.

Closely observe all safety information in these instructions!

<b>General Power Tool Safety Warnings.....</b>	<b>01</b>
<b>Symbols &amp; Cable Rating Chart .....</b>	<b>05</b>
<b>Machine Details and Product features.....</b>	<b>06</b>
<b>Operation.....</b>	<b>07</b>
<b>Maintenance and Cleaning.....</b>	<b>08</b>
<b>Lumberjack Guarantee.....</b>	<b>09</b>
<b>Declaration of Conformity.....</b>	<b>11</b>
<b>Parts list.....</b>	<b>12</b>
<b>Parts diagram.....</b>	<b>13</b>

# GENERAL POWER TOOL SAFETY WARNINGS

**WARNING Read all safety warnings and all instructions.** Failure to follow the warnings and instructions may result in electric shock, fire and/or serious injury.

**Save all warnings and instructions for future reference.** The term "power tool" in the warnings refers to your electric (corded) power tool or battery-operated (cordless) power tool.

## 1. Work area safety

**a) Keep work area clean and well lit.** Cluttered or dark areas invite accidents.

**b) Do not operate power tools in explosive atmospheres, such as in the presence of flammable liquids, gases or dust.** Power tools create sparks which may ignite the dust or fumes.

**c) Keep children and bystanders away while operating a power tool.** Distractions can cause you to lose control.

## 2. Electrical safety

**a) Power tool plugs must match the outlet. Never modify the plug in any way. Do not use any adapter plugs with grounded power tools.** Unmodified plugs and matching outlets will reduce risk of electric shock.

**b) Avoid body contact with grounded surfaces, such as pipes, radiators, ranges and refrigerators.** There is an increased risk of electric shock if your body is grounded.

**c) Do not expose power tools to rain or wet conditions.** Water entering a power tool will increase the risk of electric shock.

**d) Do not abuse the cord. Never use the cord for carrying, pulling or unplugging the power tool. Keep cord away from heat, oil, sharp edges or moving parts.** Damaged or entangled cords increase the risk of electric shock.

**e) When operating a power tool outdoors, use an extension cord suitable for outdoor use.** Use of a cord suitable for outdoor use reduces the risk of electric shock.

**f) If operating a power tool in a damp location is unavoidable, use a residual current device (RCD) protected supply.** Use of an RCD reduces the risk of electric shock.

## 3. Personal safety

**a) Stay alert, watch what you are doing and use common sense when operating a power tool. Do not use a power tool while you are tired or under the influence of drugs, alcohol or medication.** A moment of inattention while operating power tools may result in serious personal injury.

**b) Use personal protective equipment. Always wear eye protection.** Protective equipment such as dust mask, non-skid safety shoes, hard hat, or hearing protection used for appropriate conditions will reduce personal injuries.

**c) Prevent unintentional starting. Ensure the switch is in the off position before connecting to power source and/or battery pack, picking up or carrying the tool.** Carrying power tools with your finger on the switch or energising power tools that have the switch on invites accidents.

**d) Remove any adjusting key or wrench before turning the power tool on.** A wrench or a key left attached to a rotating part of the power tool may result in personal injury.

# GENERAL POWER TOOL SAFETY WARNINGS

**e) Do not overreach. Keep proper footing and balance at all times.** This enables better control of the power tool in unexpected situations.

**f) Dress properly. Do not wear loose clothing or jewellery. Keep your hair, clothing and gloves away from moving parts.** Loose clothes, jewellery or long hair can be caught in moving parts.

**g) If devices are provided for the connection of dust extraction and collection facilities, ensure these are connected and properly used.** Use of dust collection can reduce dust-related hazards.

## 4. Power tool use and care

**a) Do not force the power tool. Use the correct power tool for your application.** The correct power tool will do the job better and safer at the rate for which it was designed.

**b) Do not use the power tool if the switch does not turn it on and off.** Any power tool that cannot be controlled with the switch is dangerous and must be repaired.

**c) Disconnect the plug from the power source and/or the battery pack from the power tool before making any adjustments, changing accessories, or storing power tools.** Such preventive safety measures reduce the risk of starting the power tool accidentally.

**d) Store idle power tools out of the reach of children and do not allow persons unfamiliar with the power tool or these instructions to operate the power tool.** Power tools are dangerous in the hands of untrained users.

**e) Maintain power tools. Check for misalignment or binding of moving parts, breakage of parts and any other condition that may affect the power tool's operation. If damaged, have the power tool repaired before use.** Many accidents are caused by poorly maintained power tools.

**f) Keep cutting tools sharp and clean.** Properly maintained cutting tools with sharp cutting edges are less likely to bind and are easier

**g) Use the power tool, accessories and tool bits etc. in accordance with these instructions, taking into account the working conditions and the work to be performed.** Use of the power tool for operations different from those intended could result in a hazardous situation.

## 5. Service

**a) Have your power tool serviced by a qualified repair person using only identical replacement parts.** This will ensure that the safety of the power tool is maintained.

**b) If the replacement of the supply cord is necessary, this has to be done by the manufacturer or its agent in order to avoid a safety hazard.**

## 6. Battery Tool Use and Care

**a) Recharge only with the charger specified by the manufacturer.** A charger that is suitable for one type of battery pack may create a risk of fire when used with another battery pack.

**b) Use power tools only with specifically designated battery packs.** Use of any other battery packs may create a risk of injury or fire.

# GENERAL POWER TOOL SAFETY WARNINGS

c) When Battery pack is not in use, keep it away from other metal objects, like paper clips, coins, keys, nails, screws or other small metal object that can make a connection from one terminal to another. Shorting the battery terminals together may cause burns or a fire.

D) User abusive conditions, liquid may be ejected from the battery; Avoid contact. If contact accidentally occurs, flush with copious amounts of water. If liquid contacts eyes, seek medical help immediately. Liquid ejected from the batter may cause irritation or burns.

## 8. Additional Warnings for Heat guns.

### 8.1. Workplace Safety

#### 8.1.a. Always work in a well ventilated area.

Gases, vapours and fumes generated during operation are frequently dangerous to human health.

#### 8.1.b. If Handled Carelessly, the tool can cause fire, therefore:

- Be alert, aware and careful when using the too in places where combustible materials are stored;
- Do not keep the hot air stream aimed at the same place for a long period;
- Do not use the tool in explosive environments;
- Be aware that heat can be transferred to combustible materials located beyond your field of vision;
- Always place the tool on its base after use and allow to cool down before storing;
- Never leave your tool unattended while it is turned on.

8.1.c. Do not point the nozzle with hot air at other persons, animals and towards the places where flammable materials are stored.

### 8.2. Electrical safety

8.2.a. Do not use the device when it rains or under high humidity conditions. It may result in injuries or death caused by electric shock.

8.2.b. When operating the hot air gun outdoors always use a residual current device (RCD). The use of RCD reduces the risk of electric shock.

8.2.c. Before each use check the tool, its power cord and plug for any damage. If any damage is found, stop working and have the tool repaired. Using a defected device can be dangerous to health and life. Never open its housing as the tool does not contain any user serviceable parts.

8.2.d. Do not put any objects into the nozzle. It may result in damage to the tool and electric shock.

8.2.e. The power cord should be placed behind the tool at all times during operation.

8.2.f. Do not point the hot air stream at the power cord and do not touch the power cord with the nozzle when hot. It may result in damage to its insulation and electric shock.

8.2.g. Do not carry or hang the tool on its power cord.

8.2.h. Do not use a power tool with it power cord damaged. Do not touch the power cord when damaged; if the damage to power cord occurs during operation; unplug the cord from the mains socket. Damaged power cords increase the risk of electric shock.

# GENERAL POWER TOOL SAFETY WARNINGS

## 8.3. Personal safety

**8.3.a. When processing plastics, paints, varnishes and other materials, flammable and toxic gases are generated. Do not use the tool near flammable materials and explosive gases.**

**8.3.b. To provide protection against vapours and fumes wear a special mask protecting against dusts and vapours emitted by lead-containing paints and bear in mind the safety of other persons staying at your workplace.**

**8.3.c. Danger of burns! Never touch the nozzle when hot. Always wear protective gloves.**

**8.3.d. Do not look into the nozzle when the tool is on.**

**8.3.e. Always wear safety goggles when operating the tool.**

**8.3.f. Do not use the tool as a hair dryer! The hot air emitted by the hot air gun exceeds the temperature of air provided by a hair dryer.**

## 8.4. Working instructions and use tips

**8.4.a. Protect the hot air gun against impacts and surface damage caused by sharp objects.**

**8.4.b. Before you use the tool always check air inlet and outlet for any obstacles restricting a free air flow.**

**8.4.c. Do not burn the paint as it may result in fire. Keep the paint away from the nozzle, as it can ignite after some period**

**8.4.d. Do not obstruct either air inlet or nozzle outlet as it can result in excessive temperature and damage to the tool. Do not keep the hot air outlet closer than 5cm from the surface processed.**

**8.4.e. Do not put the nozzle on any object during and directly after operation. Do not place the on its side. Whenever you wish to put the hot air gun aside, set in a vertical position.**

**8.4.f. When you stop using the tool, during breaks or carrying out any maintenance operations (e.g. inspections, cleaning, adjustments) always unplug the power cord from the mains socket**

**8.4.g. Never allow children to use the tool.**

# SYMBOLS AND POWER RATING CHART



**Danger!** – Read the operating instructions to reduce the risk of injury.



**Caution!** Wear safety goggles.



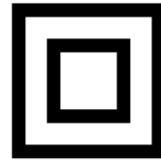
**Caution!** Wear ear defenders. The impact of noise can cause damage to hearing.



**Caution! Risk of Injury!** Do not reach into the running saw blade.



**Caution!** Wear a dust mask.



**Protection class:**  
Double Insulated.

# MACHINE DETAILS AND PRODUCT FEATURES

## Machine Details

### Specifications:

Mains Voltage - 230V / 50Hz

Power Consumption - 1800W

Temperature – I: 400°C

II: 600°C

Air Output – I: 250L/min

II: 500L/min

Weight - 0.9kg

### Package Contents:

1 x Heat gun

1 x Triangle scraper

1 x Triangle scraper handle

2 x nozzle attachments

## Product Features

1. Outlet nozzle
2. ON/OFF switch with a stepped control

### Intended Use

The tool is intended for removing paint coats, shaping and welding plastics and fitting shrinking plastic tubing. It can also be used to soften adhesives and defrost water pipes.

**Do not use the tool in professional applications.** Any use in applications other than indicated is prohibited and making the warranty void and null and waiving manufacturer's liability for any resulting damage.

**Any modification to the tool carried out by the user waives manufacturer's liability for damage to the tool, user or other property.**





# OPERATION

## Before you start

1. Make sure that power supply parameters meet the requirements provided on the tool nameplate
2. Make sure the tool is in the off position. Connecting the tool to the mains socket while in the on position can result in injury as the hot air gun starts immediately.
3. When your workplace is too far to plug the tool directly into the mains socket, use an extension cord with a cable cross-section meeting the tool's requirements. Extension cords should be as short as possible. When in use extension cords must be fully uncoiled.

## During Operation

### 1. Switching On/Off

- To turn the tool on, set the on/off switch (2) to mode 1 or 2. In both modes the tool turns on with the air flow and temperature values set before it was turned off for the last time.
- To turn the tool off, set the on/off switch (2) to position 0 until resistance is felt.
- After a long period of operation at high temperatures put the tool aside after selecting mode 1 for a short period to allow it to cool down.

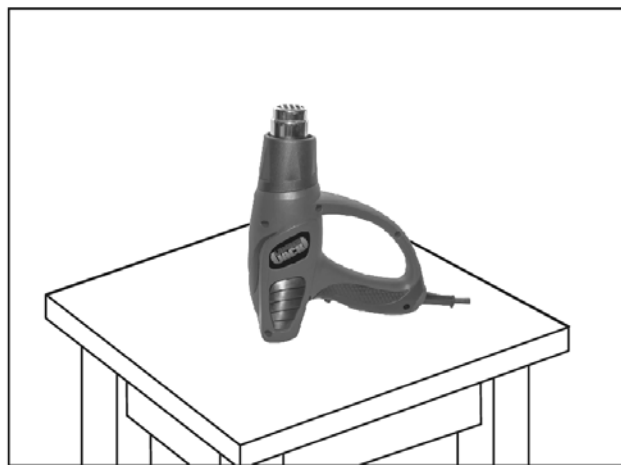
## Working Tips

**NOTE!** Avoid holding the tool perpendicular to the surface being processed. It results in hot air reflection and creates a feedback of hot air being sucked into the motor. It results in increasing temperature inside the motor and damage to the tool. The Heat gun should be held at an angle of approx. 45° to the surface being processed.

- The distance between the nozzle and object being processed depends on the material, but cannot be lower than 5cm.

- To cool the hot tool down or to have both hands free put the hot air gun vertically onto a horizontal surface.

**NOTE:** be especially careful when working with the tool aside! There's a risk of burns caused by its hot nozzle or hot air stream.



# Maintenance and Cleaning

## Cleaning and maintenance

- Keep the tool clean and provide unrestricted air flow
- Protect the hot air gun against any penetration of water, dust and other small objects
- Do not clean the plastic housing with chemical agents. Use a slightly damp cloth and soap. Allow the tool housing to dry under natural conditions before you start to use it again.
- Check the power cord for technical shape on a regular basis and replace it immediately when any damage is found
- In case of technical problems please contact our service team.

# LUMBERJACK GUARANTEE

## 1. Guarantee

1.1 Lumberjack guarantees that for a period of 12 months from the date of purchase the components of qualifying products (see clauses 1.2.1 to 1.2.8) will be free from defects caused by faulty construction or manufacture

1.2 During this period, Lumberjack, will repair or replace free of charge any parts which are proved to be faulty in accordance with paragraph 1.1 providing that:

1.2.1 You follow the claims procedure set out in clause 2.

1.2.2 Lumberjack and its Authorised Dealers are given reasonable opportunity after receiving notice of the claim to examine the product.

1.2.3 If asked to do so by Lumberjack or its Authorised Dealer, you return the product at your own cost to Lumberjack's or the supplying Authorised Dealer's Premises -

For the examination to take place clearly stating the Returns Material Authorisation Number given.

1.2.4 The fault in question is not caused by industrial use, accidental damage, fair wear and tear, wilful damage, neglect, incorrect electrical connection, misuse, alteration or repair of the product without approval.

1.2.5 The product has been used in a domestic environment only.

1.2.6 The fault does not relate to consumable items such as blades, bearings, drive belts or other wearing parts which can reasonably be expected to wear at different rates depending on usage.

1.2.7 The product has not been used for hire purposes.

1.2.8 The product has been purchased by you, as the guarantee is not transferable from a private sale.

# LUMBERJACK GUARANTEE

## 2. Claims Procedure

2.1 In the first instance please contact the Authorised Dealer who supplied the product to you. In our experience many initial problems with machines that are thought to be fault due to faulty parts are actually solved by correct setting up or adjustment of the machine. A good Authorised Dealer should be able to resolve the majority of these issues much more quickly than processing a claim under the guarantee. If a return is requested by the Authorised Dealer or Lumberjack, you will be provided with a Returns Material Authorisation Number which must be clearly stated on the returned package, and any accompanying correspondence. Failure to provide a Returns Material Authorisation Number may result in item being refused delivery.

2.2 Any issues with the product resulting in a potential claim under the guarantee must be reported to the Authorised Dealer from which it was purchased within 48 hours of receipt.

2.3 If the authorised Dealer who supplied the product to you has been unable to satisfy your query, any claims made under this guarantee should be made directly to Lumberjack. The claim itself should be made in a letter setting out the date and place of purchase, giving a brief explanation of the problem which has led to the claim.

2.4 Please note that it is essential that the letter of claim reaches Lumberjack on the last day of this guarantee at the latest. Late claims will not be considered.

## 3. Limitation of Liability.

3.1 We only supply products for domestic and private use. You agree not to use the product for any commercial, business or resale purposes and we have no liability to you for any loss of profit, loss of business, business interruption or loss of business opportunity.

3.2 This guarantee does not confer any rights other than these expressly set out above and does not cover any claims for consequential loss or damage. This guarantee is offered as an extra benefit and does not affect your statutory rights as a consumer.

## 4. Notice

This guarantee applies to all product purchased from an Authorised Dealer of Lumberjack within the United Kingdom. Terms of guarantee may vary in other countries.

## CE DECLARATION OF CONFORMITY

### TOOLSAVE

Unit C, Manders Ind. Est.,  
Old Heath Road, Wolverhampton,  
WV1 2RP.  
Tel: 01902 450 470

Declares that the HEAT GUN(HG1800)

Is in compliance with the regulations included in the Directives:2014/30/EU

## EC DECLARATION OF CONFORMITY

Certificate for EC-type examination delivered by Intertek Testing Services Hangzhou,16 No. 1 Ave.,Xiasha Economic Development District, Hangzhou,310018,China. (Verification No.:160500127HZH-V1)

Person who declares: Bill Evans

---



01.01.2021

The Director

A handwritten signature in black ink, appearing to be 'Bill Evans', written over a light blue circular stamp.

## Parts List

No.	Description	No.	Description
1	Left insert	14.1	Heating element
2	Left clamshell	14.2	Mica sheet
3	Motor PCB	14.3	Wind pipe
4	Motor	15	Swtich
5	Screw for heating support	16	Swtich cover
6	Motor support	17	Right clamshell
7	Screw for motor	18	Right insert
8	Fan	19	Screw
9	Screw	20	Screw
10	Fan cover	21	Terminal block
11	Heat support	22	Cord guard
12	Front cover	23	Cord set
13	Support ring	24	X2 capacitor
14	Heating element assembly	25	Cord bushing

# Parts Diagram

