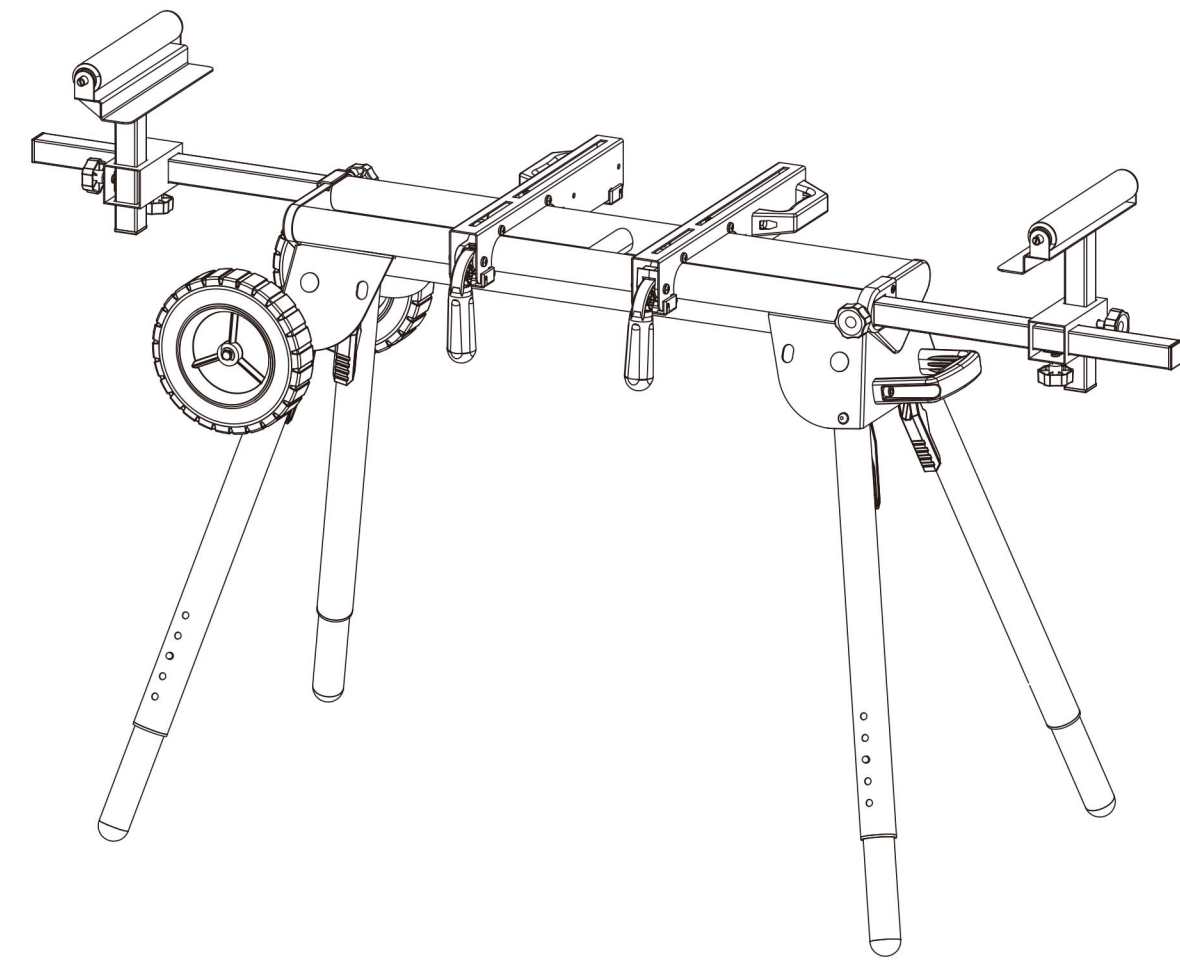


size:21x29.7cm

LUMBER JACK

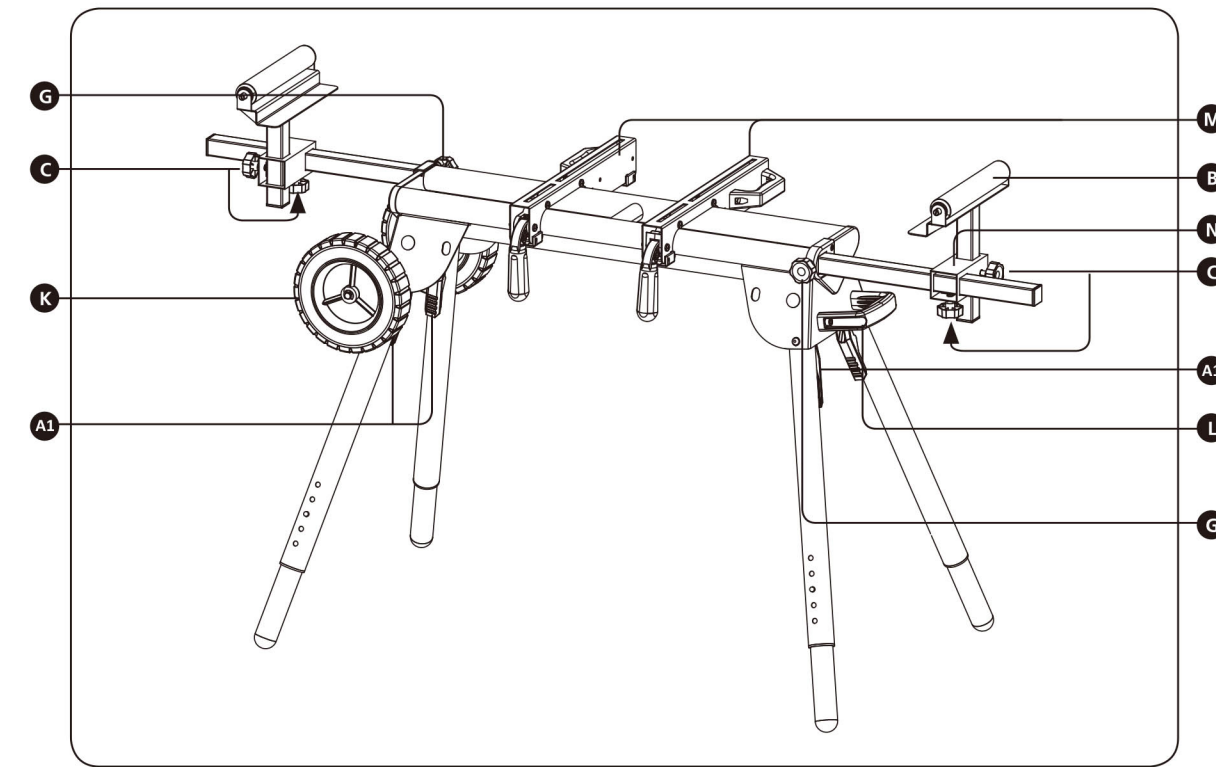


MSS200

Welcome to Lumberjack!

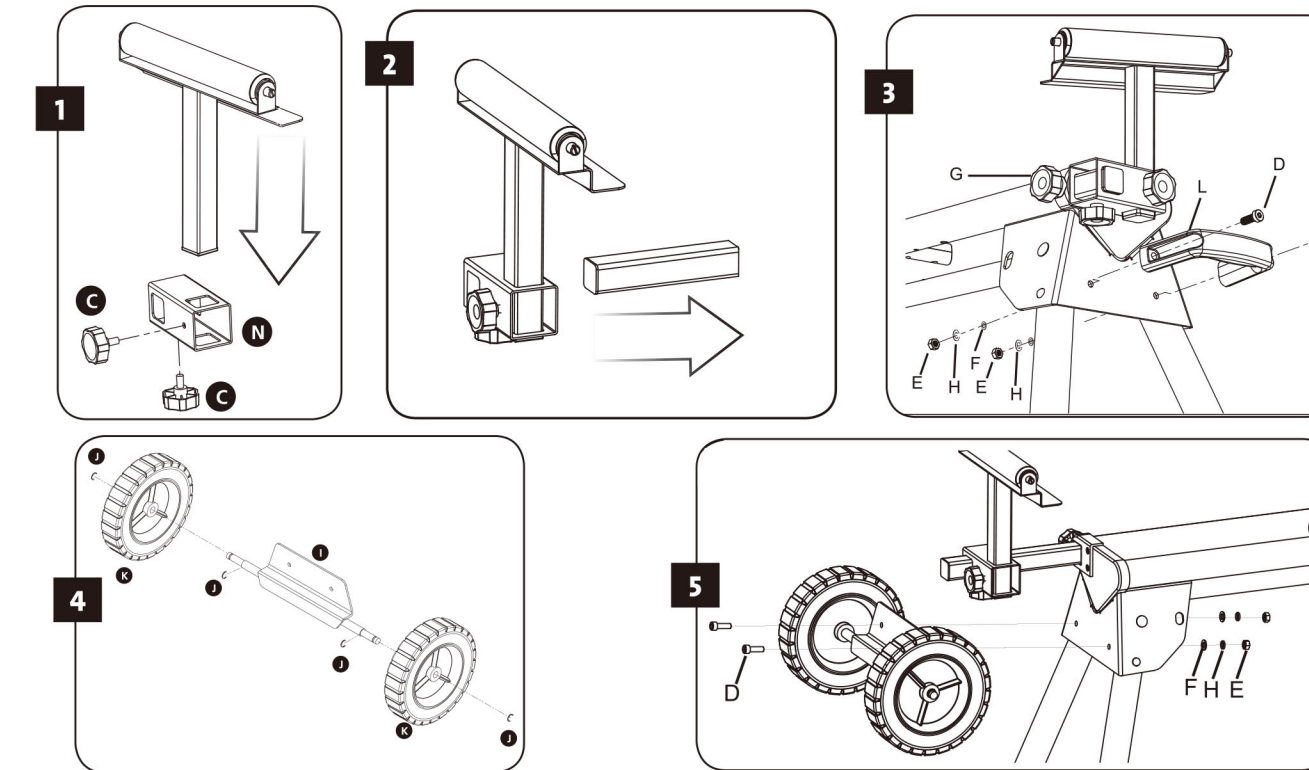
Thank you for purchasing this Lumberjack product, we hope you enjoy many years of creative and productive use.
Please read this manual thoroughly and keep for your reference.

Description Of The Device



Main Body	A		1x	Washer E	J		4x
Support (T) Roller	B		2x	Wheel	K		2x
Clamping Handle M8x18	C		4x	Handle	L		1x
Chc Screw Head M8x25 Hex	D		4x	Tool Holder Retractable	M		2x
Nut M8	E		10x	Support Servant (T)	N		2x
Washer	F		10x	Clamping Bolt M8x20	O		2x
Clamping Handle M8x25	G		2x	Clamping Bolt M8x40	P		4x
Washer Blocking	H		10x	Extended Support	Q		2x
Main Axis Wheel	I		1x				

Assembly Instructions



Completely read all assembly instructions before starting to assemble.

Some components may be pre-assembled at the factory.

Support Roller Assembly

1. Insert the roller arm into the attachment as shown, and then clamp in to place using screw (C). At this time also screw in place the other screw (C) as shown. You will need to assemble two of these.
2. Insert on to the main frame rail and secure with the screw (C). Repeat for the other side.
3. Attach carrying handle (L) using 2 x bolt (D), 2 x split ring (F), 2 x washer (H), and 2 x Nut (E).
4. Attach wheels (K) on to the axle (I) using locking washers (J) as shown in the image.
5. Secure the wheels and axle to the main frame using 2 x bolt (D), 2 x split ring (F), 2 x washer (H), and 2 x nut (E).

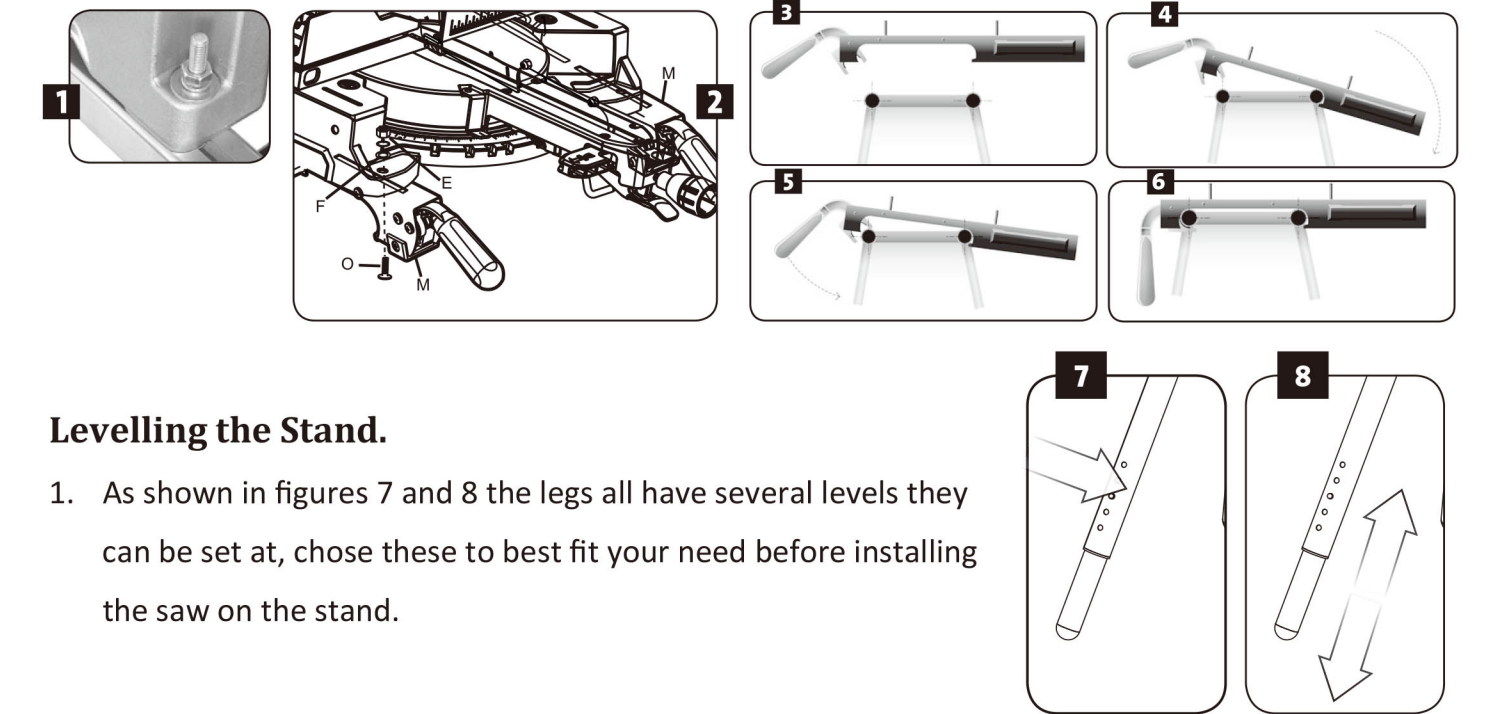
Unfolding the Legs.

6. Flip the stand on to its back.
7. One by one unlock each leg using lever (A1), and then pull them out fully.

Installing the Saw to the Stand.

With the stand unfolded and upright

1. Attach the mitre saw to the saw brackets, one on each side of the saw, using bolts (O), split rings (F), washers (H), and nuts (E) (see figures 1 and 2).
2. Next attach the saw to the stand as shown in figures 3 to 6.

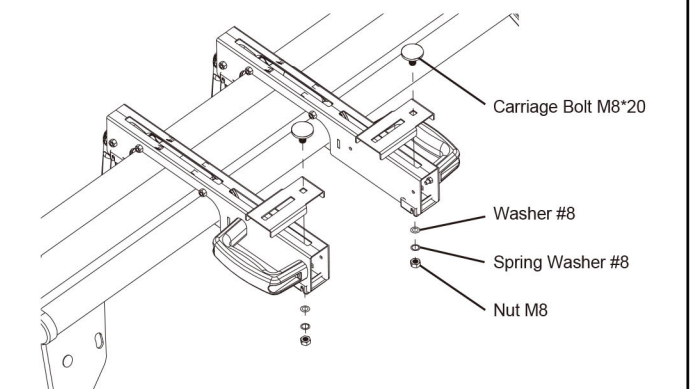


Levelling the Stand.

1. As shown in figures 7 and 8 the legs all have several levels they can be set at, chose these to best fit your need before installing the saw on the stand.

Offset Mounting Bracket for Mitre Saws

1. Secure the offset mounting brackets as shown.
2. These bracket can be used and adjusted to match almost any offset hole pattern.



Before any transport operation, ensure that all parts and moving parts of the set are secured in the clamped position.

