



ORIGINAL INSTRUCTIONS

TABLE OF CONTENTS

Welcome to Lumberjack!

Dear customer, Congratulations on your purchase. Before using the product for the first time please be sure to read these instructions for use.

They provide you with all information necessary for using the product safely and to ensure its long service life.

Closely observe all safety information in these instructions!

General Power Tool Safety Warnings.....	01
Symbols & Cable Rating Chart	05
Machine Details and Product Features.....	06
Assembly.....	08
Operation.....	09
Cleaning.....	13
Maintenance and Service.....	15
Lumberjack Guarantee.....	16
Declaration of Conformity.....	18
Parts List.....	19
Parts Diagram.....	20

GENERAL POWER TOOL SAFETY WARNINGS

WARNING Read all safety warnings and all instructions. Failure to follow the warnings and instructions may result in electric shock, fire and/or serious injury.

Save all warnings and instructions for future reference. The term "power tool" in the warnings refers to your electric (corded) power tool or battery-operated (cordless) power tool.

1. Work area safety

a) Keep work area clean and well lit. Cluttered or dark areas invite accidents.

b) Do not operate power tools in explosive atmospheres, such as in the presence of flammable liquids, gases or dust. Power tools create sparks which may ignite the dust or fumes.

c) Keep children and bystanders away while operating a power tool. Distractions can cause you to lose control.

2. Electrical safety

a) Power tool plugs must match the outlet. Never modify the plug in any way. Do not use any adapter plugs with grounded power tools. Unmodified plugs and matching outlets will reduce risk of electric shock.

b) Avoid body contact with grounded surfaces, such as pipes, radiators, ranges and refrigerators. There is an increased risk of electric shock if your body is grounded.

c) Do not expose power tools to rain or wet conditions. Water entering a power tool will increase the risk of electric shock.

d) Do not abuse the cord. Never use the cord for carrying, pulling or unplugging the power tool. Keep cord away from heat, oil, sharp edges or moving parts. Damaged or entangled cords increase the risk of electric shock.

e) When operating a power tool outdoors, use an extension cord suitable for outdoor use. Use of a cord suitable for outdoor use reduces the risk of electric shock.

f) If operating a power tool in a damp location is unavoidable, use a residual current device (RCD) protected supply. Use of an RCD reduces the risk of electric shock.

3. Personal safety

a) Stay alert, watch what you are doing and use common sense when operating a power tool. Do not use a power tool while you are tired or under the influence of drugs, alcohol or medication. A moment of inattention while operating power tools may result in serious personal injury.

b) Use personal protective equipment. Always wear eye protection. Protective equipment such as dust mask, non-skid safety shoes, hard hat, or hearing protection used for appropriate conditions will reduce personal injuries.

c) Prevent unintentional starting. Ensure the switch is in the off position before connecting to power source and/or battery pack, picking up or carrying the tool. Carrying power tools with your finger on the switch or energising power tools that have the switch on invites accidents.

d) Remove any adjusting key or wrench before turning the power tool on. A wrench or a key left attached to a rotating part of the power tool may result in personal injury.

GENERAL POWER TOOL SAFETY WARNINGS

e) Do not overreach. Keep proper footing and balance at all times. This enables better control of the power tool in unexpected situations.

f) Dress properly. Do not wear loose clothing or jewellery. Keep your hair, clothing and gloves away from moving parts. Loose clothes, jewellery or long hair can be caught in moving parts.

g) If devices are provided for the connection of dust extraction and collection facilities, ensure these are connected and properly used. Use of dust collection can reduce dust-related hazards.

4. Power tool use and care

a) Do not force the power tool. Use the correct power tool for your application. The correct power tool will do the job better and safer at the rate for which it was designed.

b) Do not use the power tool if the switch does not turn it on and off. Any power tool that cannot be controlled with the switch is dangerous and must be repaired.

c) Disconnect the plug from the power source and/or the battery pack from the power tool before making any adjustments, changing accessories, or storing power tools. Such preventive safety measures reduce the risk of starting the power tool accidentally.

d) Store idle power tools out of the reach of children and do not allow persons unfamiliar with the power tool or these instructions to operate the power tool. Power tools are dangerous in the hands of untrained users.

e) Maintain power tools. Check for misalignment or binding of moving parts, breakage of parts and any other condition that may affect the power tool's operation. If damaged, have the power tool repaired before use. Many accidents are caused by poorly maintained power tools.

f) Keep cutting tools sharp and clean. Properly maintained cutting tools with sharp cutting edges are less likely to bind and are easier to control.

g) Use the power tool, accessories and tool bits etc. in accordance with these instructions, taking into account the working conditions and the work to be performed. Use of the power tool for operations different from those intended could result in a hazardous situation.

5. Service

a) Have your power tool serviced by a qualified repair person using only identical replacement parts. This will ensure that the safety of the power tool is maintained.

b) If the replacement of the supply cord is necessary, this has to be done by the manufacturer or its agent in order to avoid a safety hazard.

GENERAL POWER TOOL SAFETY WARNINGS

6. Safety Instructions for Spray Gun

- a) Do not use the product for spraying flammable materials.
- b) Be aware of any hazards presented by the material being sprayed. Consult the markings on the container or the information supplied by the manufacturer of the material to be sprayed.
- c) Do not spray any material where the hazard is not known.
- d) Use appropriate personal protective equipment, such as dust mask, safety goggles, protective gloves and ear protection.
- e) Do not clean the product with flammable solvents.
- f) Never use highly flammable or corrosive liquids. Only use paints and solvents with a flash-point above 21°C. Ask a professional for advice.
- g) Never point the product toward open flames!
- h) Do not allow children to play with the product. Never work near children or animals.
- i) Never manipulate the product and always use the safety and/or protective guard on the product to avoid risks.
- j) Risk of injury: Do not direct the product towards people or animals.
- k) Never smoke during the paint process.
- l) Always ensure sufficient circulation of fresh air.
- m) Never use paint containing lead.
- n) Before any work (such as transport, construction, conversion, cleaning or maintenance) and when the product is not being used, disconnect it from the power supply and empty the paint container!

7. Emergency

Familiarise yourself with the use of this product by means of this instruction manual. Memorise the safety directions and follow them to the letter. This will help to prevent risks and hazards.

1. Always be alert when using this product, so that you can recognise and handle risks early. Fast intervention can prevent serious injury and damage to property.

2. Switch off and disconnect from the power supply if there are malfunctions. Have the tool checked by a qualified professional and repaired, if necessary, before you operate it again.

GENERAL POWER TOOL SAFETY WARNINGS

Measures to take in the event of contact with chemicals

Skin contact: Clean with plenty of water and soap, consult a doctor if necessary.

Eye contact: Rinse with plenty of water, consult a doctor.

Swallowing: Do not vomit, consult a doctor

Inhalation: Fresh air, consult a doctor if necessary

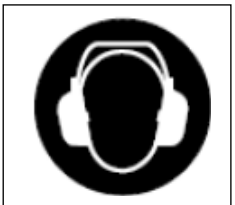
SYMBOLS AND POWER RATING CHART



Danger! – Read the operating instructions to reduce the risk of injury.



Caution! Wear safety goggles.



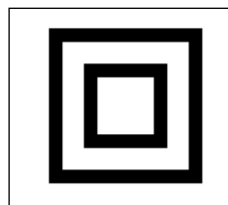
Caution! Wear ear defenders. The impact of noise can cause damage to hearing.



Caution! Risk of Injury! Do not reach into the running saw blade.



Caution! Wear a dust mask.



**Protection class:
Double Insulated.**

MACHINE DETAILS AND PRODUCT FEATURES

Machine Details

Specifications:

Mains Voltage -230V / 50Hz

Power– 500W

Water Flow Rate – 900ml/min

Viscosity Measuring – 100DIN-s

Nozzle Size –Ø2.0mm

Canister Capacity – 900ml

Gross Weight – 2.0kg

Nett Weight – 1.5kg

Package Contents:

Spray gun

Viscosity measuring

Nozzle cleaning needle

Cleaning brush

Nozzle tip spanner

Intended Use

This spray gun is ideal for refinishing a wide variety of purposes. The intended use includes the mechanical spraying of liquid, paste or powdery substances such as paints containing solvents or water-based paints on components, surfaces, etc.

The product may not be used for processing emulsion and latex paints or chlorinated solutions.

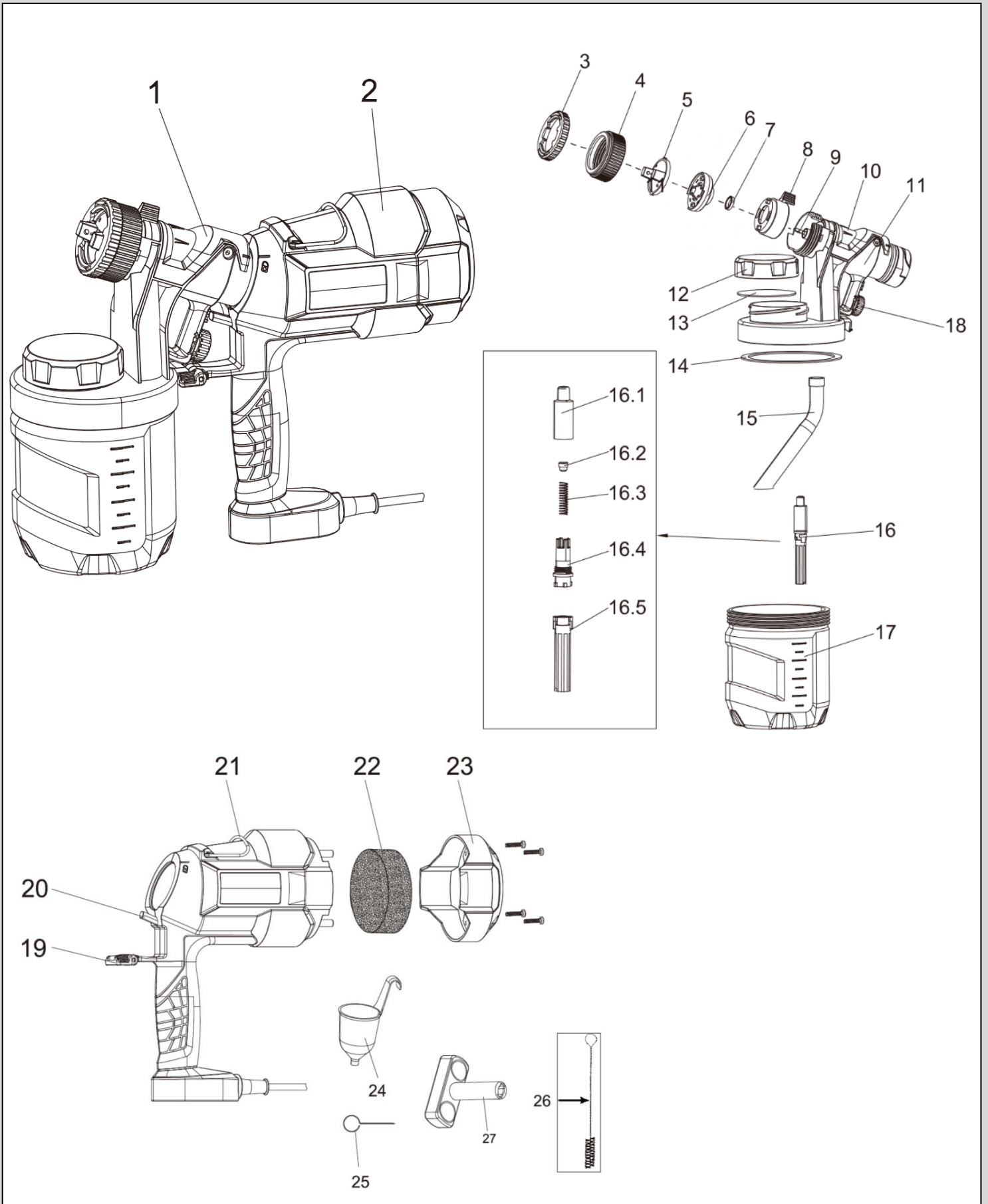
For safety reasons it is essential to read the entire instruction manual before first operation and to observe all the instructions therein.

This product is intended for private domestic use only, not for any commercial trade use. It must not be used for any purposes other than those described.

Product Features

- | | | |
|-------------------------|---------------------------|---------------------|
| 1.Spray gun unit | 14. O-ring | 22. Filter |
| 2.Power unit | 15. Pickup tube | 23. Filter cover |
| 3.Smart nozzle selector | 16. Check valve assembly | 24. Viscosity cup |
| 4.Tip collar | 16.1 Check valve sleeve 1 | 25. Cleaning needle |
| 5.Air cap | 16.2 Check valve | 26. Cleaning brush |
| 6.Nozzle | 16.3 Spring | 27. Spray tip key |
| 7.Y-type seal ring | 16.4 Check valve sleeve 2 | |
| 8.Spray width lever | 16.5 Valve extension | |
| 9.Spray tip | 17. Canister | |
| 10.Spray unit housing | 18. Flow control knob | |
| 11.Trigger | 19. Quick release lock | |
| 12.Quick refill lid | 20. Switch trigger lever | |
| 13.sealing linear | 21. Hanging hook | |

MACHINE DETAILS AND PRODUCT FEATURES



ASSEMBLY

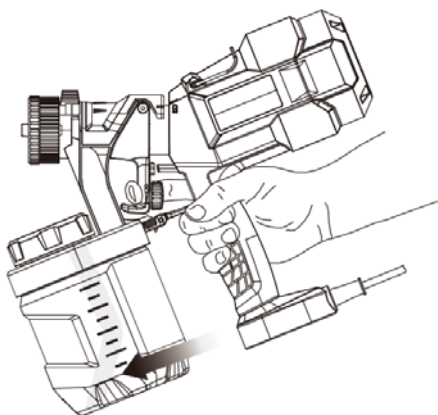
Warning! Be sure to use appropriate protective gear and unplug unit.

Warning! Make sure area is well ventilated and free of flammable vapors.

Aligning the pickup tube

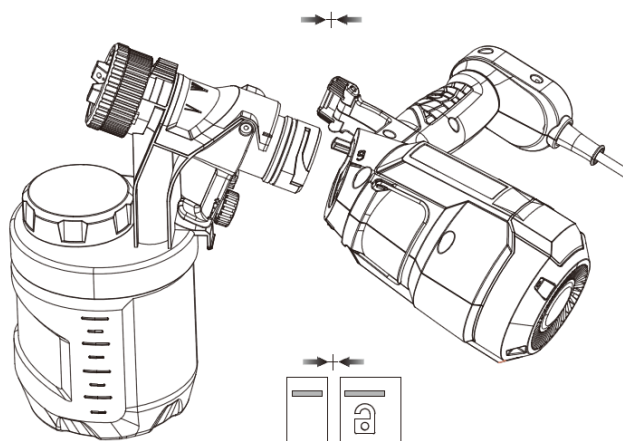
The pickup tube (#15) needs to be aligned in the direction toward the front of the canister. This will ensure you spray as much material as possible before you need to refill.

Make sure the pickup tube is assembled tight in place.



Attaching spray unit to spray gun handle

Align the marking line on the spray unit with the icon of unlock, then rotate the spray gun handle clockwise until stop. Rotate the quick release lock (#19) and snap onto the hook on the edge of canister lid.



Liquid material preparation

Tip: Make sure the type of material you use can be cleaned with either mineral spirits or paint thinner (for oil-based paints) or a warm water and soap solution (for water soluble paints). Use drop cloths during pouring, mixing, and viscosity testing of materials to be sprayed to protect your floors and anything else in the spraying area that you wish to remain untouched



The liquid being sprayed may need to be thinned (diluted) before starting. When thinning, use the proper liquid thinner recommended on the container by the material manufacturer.

Warning!: Do not use materials with a flashpoint higher than 60° C.

A viscosity test cup is provided to determine the “runout time” of the material being used.

- Before measuring for the proper viscosity, stir the material thoroughly.
- Dip the viscosity cup into the material being use with the cup held over the material container, measure the amount of time it takes for the liquid stream out of the bottom of the cup (150 seconds or less). This is the “run out time”. Refer to the thinning table for information on the thinning required for different materials.



ASSEMBLY/OPERATION

- If material needs thinning, add the appropriate liquid, thinning material recommended by the manufacturer.



- It is possible to spray latex paint with this unit, however, the required thinning may exceed material manufacturer's recommendation. Thin latex paint so that it runs through viscosity cup within 150 seconds. The operator should consider the type of application and final location of the project when spraying a material that requires more than 150 seconds to run through the viscosity cup.

OPERATION

THINNING TABLE

SPRAY MATERIAL:

Clear and semi-transparent stains and sealers Oil based primers, varnishes and polyurethane

RUNOUT TIME:

No thinning required (Less than 70 Oil based primers, second's runout)

SPRAY MATERIAL:

Solid colour water based stains Water based or latex paints

RUNOUT TIME:

May require thinning (More than 70 seconds runout)

Note: Not recommended for textured paint

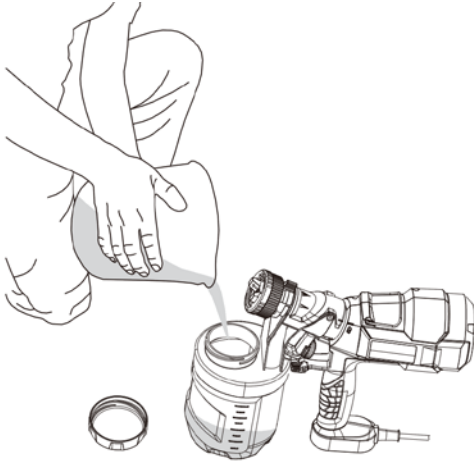
PREPARATION TIPS

- Always stir and strain the material thoroughly before use.
- With any spraying job you should always ensure that you have properly prepared the surface to get the best finish. That is, all surfaces are free from dust, dirt, rust and grease. Lightly pressure wash decks or exterior surfaces and ensure that they are dry before spraying.
- Even though HVLP sprayers have very little overspray, it is recommended that you mask all edges and other areas and use drop cloths to protect your floors and anything else in the spraying area that you wish to remain untouched.
- Skin that forms on the top of paint can clog the sprayer. Remove skin before mixing. Strain with a funnel with a filter attached or through hosiery to remove any impurities that could clog system.
- Before starting have gloves, paper towels, rags etc. available for unexpected spills.

OPERATION

FILLING THE CANISTER

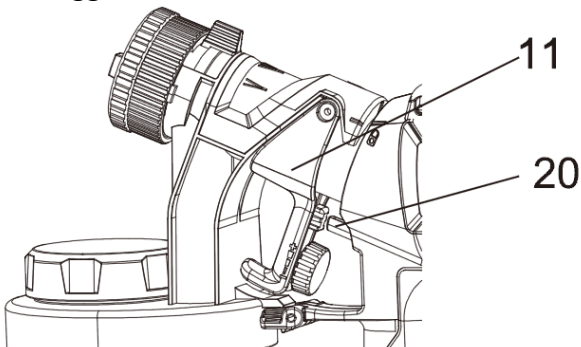
- Check to make sure that the canister is completely screwed onto the sprayer.
- Stand the sprayer firmly on an smooth and horizontal surface
- Pour the properly thinned and strained material to be sprayed into the canister.



- Clean any residual liquid from the threads or sides of the canister and sprayer.
- Starting the threads evenly, screw the lid completely onto the top fill canister. Check the lid to make sure it is threaded on squarely and completely before picking up the sprayer.

ON / OFF SWITCH

Squeeze to press the trigger (#11), trigger will actuate the switch inside the tool by the switch trigger lever(#20) to turn on the tool. Release the trigger to turn off the tool.



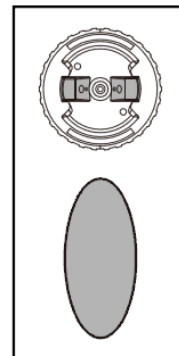
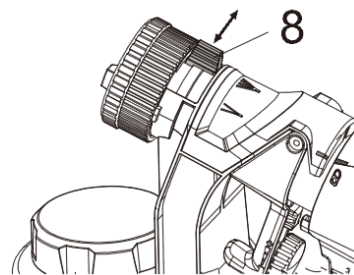
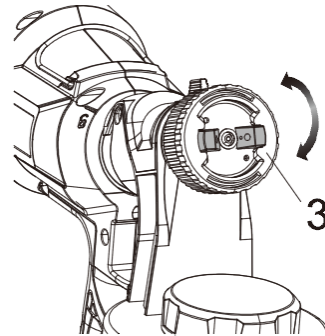
SMART SELECT NOZZLE SELECTION

There are three spray patterns to choose from:

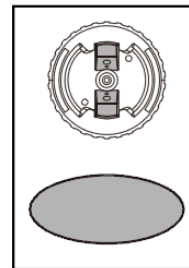
-Vertical Flat Jet

-Horizontal Flat Jet

-Circular Jet

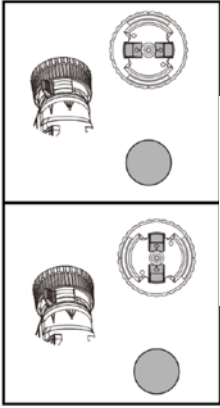


To select **Vertical Flat Jet** , turn the air cap (#5) to horizontal direction by turning the smart nozzle selector (#3) clockwise until stop.



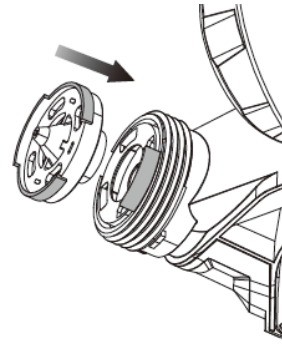
To select **Horizontal Flat Jet**, turn the air cap(#5) to vertical direction by turning the smart nozzle selector (#3) anti-clockwise until stop.

OPREATION



To select Circular Jet, turn the Spray Width Lever (#8) to the icon of Minimum.

Note: Spray nozzle can only be assembled in one direction that the notch of the nozzle(#6) must align with the skirt on spray unit housing(#10). Refer to Fig. for proper assembly.



Warning! Risk of injury.

Never point the sprayer at any part of the body. Never pull the trigger while adjusting the spray setting.

ADJUSTING WIDTH OF SPRAY PATTERN

By turning the Spray Width Lever (#8) between the Minimum marking and Maximum marking, the width of the spray patterns can be adjusted accordingly.

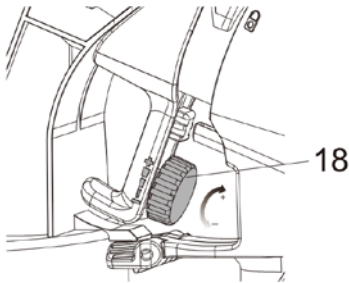
Application	Spray Width Lever #8	Air Cap #5	Spray Jet Pattern
Initial coatings, corners, edges, and hard to reach locations			Small circular jet
Small-medium size surface			Vertical narrow jet for horizontal coating direction
			Horizontal narrow jet for vertical coating direction
Large size surface top coating			Vertical wide jet for horizontal coating direction
			Horizontal wide jet for vertical coating direction

OPERATION

FLOW CONTROL KNOB

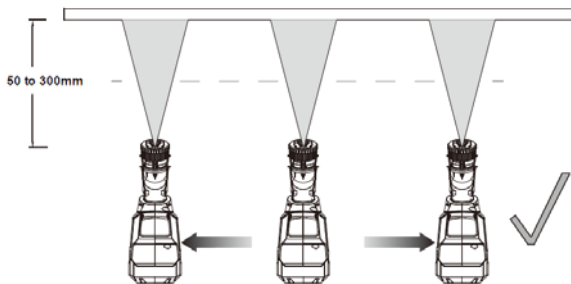
The flow control knob (#18) regulates the amount of liquid that can be sprayed. Turning the flow knob clockwise increases the flow of liquid. Turning the knob counter anti-clockwise Decreases the flow of liquid.

Tip: Always test the spray pattern on scrap cardboard or similar material first. Begin with flow control knob on the highest flow setting. If less flow is desired, dial the flow control knob anti-clockwise to decrease the flow of liquid. Heavier, thicker materials should be sprayed with the flow control knob on high flow setting. Thinner materials should be sprayed with the flow control knob on a low flow setting.

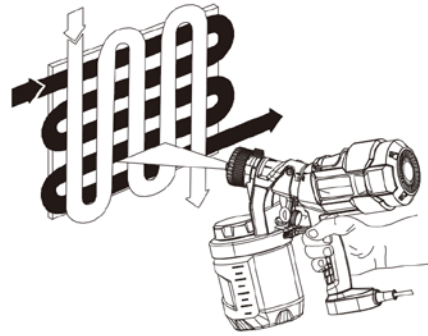


Developing the proper spraying technique

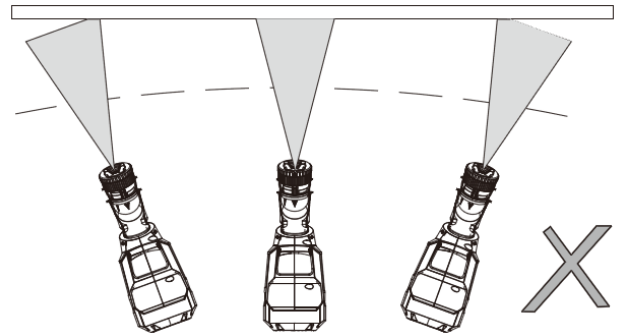
- Practice spraying on a piece of scrap material such as cardboard to test your spray pattern and become familiar with the flow control feature of the sprayer.
- Ensure surface to be sprayed is free of dust, dirt, and grease.
- Ensure spray area is clean and free of dust that could be blown onto newly sprayed surfaces.
- Cover any areas not intended to be sprayed.
- Always spray from a minimum of 50mm to a maximum of 300mm.



- A commonly used method for spraying a large surface is the “crisscross” pattern. This is done by spraying in horizontal strips and then crossing over these strips with vertical strips.



- To get an even spray distribution, always keep your arm at the same distance from the surface you are spraying and avoid moving your wrist.



- Maintain smooth and consistent speed which will help avoid inconsistencies. Begin spraying after the pass has begun and release trigger before stopping the pass.
- Avoid spraying too heavily in any one area. Several lighter coats are better than one heavy coat which can lead to running and dripping. Remember that the flow control knob regulates the amount of liquid that can be sprayed. Turning the flow knob clockwise increases the flow of liquid. Turning the knob anti-clockwise decreases the flow of liquid. If runs or drips do occur, have a dry paint brush on hand to smooth them out.

CLEANING

Warning! Be sure to use appropriate protective gear.

-Do not use materials with a flashpoint higher than 60°C (140°F) . Flashpoint is the temperature that a fluid can produce enough vapors to ignite (see coating supplier).

- Make sure clean up area is well ventilated and free of flammable vapors.

- Always spray outdoors when spraying cleaning solution through sprayer.

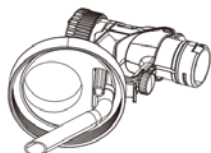
- Do not submerge power unit.

- Use drop cloths during pouring, mixing, and viscosity testing of materials to be sprayed to protect your floors and anything else in the spraying area that you wish to remain untouched.

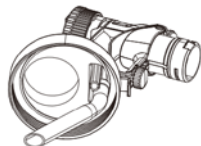
- To begin cleaning:

- Turn the power unit off and unplug the cord

- Unscrew the canister from the sprayer and pour any remaining liquid back into the original container .



- Pour a small amount of the appropriate cleaning solution into the canister .



- Warm soapy water for water based materials
-Manufacturers recommended cleaning solution for oil based materials

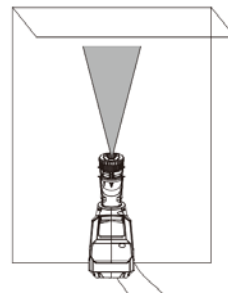
- Screw on the canister back to the sprayer securely and vigorously shake the sprayer.

- Unscrew the canister and properly dispose of cleaning solution.

- Refill the canister with a small amount of new cleaning solution. Screw the canister back onto the sprayer.

-Plug in the cord and turn on the power unit.

- Spray the cleaning solution through the sprayer onto scrap material for 2 to 3 seconds.

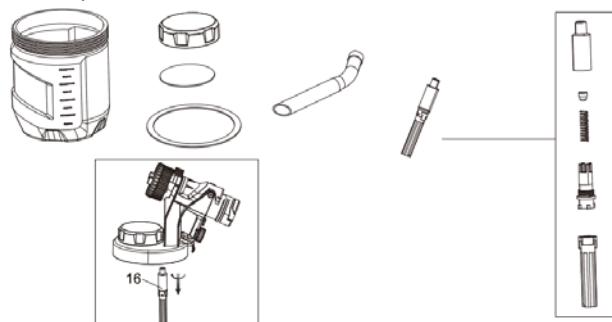


- Turn the power unit off, unplug the cord

- Unscrew the canister from the sprayer.

- Remove the O-ring(#14), pickup tube(#15), check valve (#16), and quick refill lid(#12) from the sprayer. Clean the parts with the cleaning brush in the appropriate cleaning solution (Fig. P).

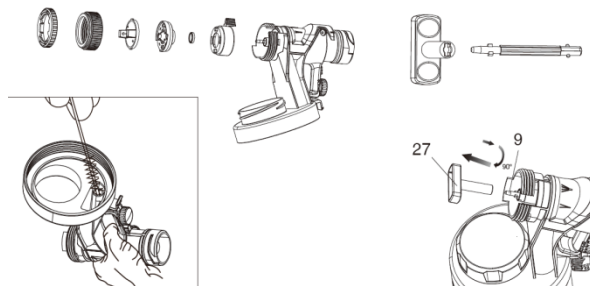
Note: When removing the check valve, twist the check valve clockwise and then pull it out.(Fig P insert)



-Unscrew the tip collar (#4) and remove all the parts of the spray nozzle(#3,#4,#5,#6,#7.#8) from the sprayer.

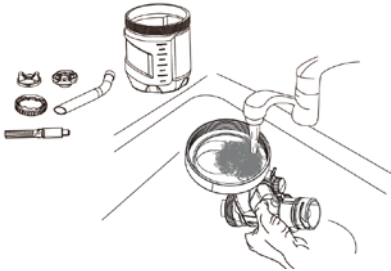
Remove the spray tip(#9) from the sprayer. (Clean all parts with the cleaning brush in the appropriate cleaning solution.

Be sure to clean around check valve with brush.

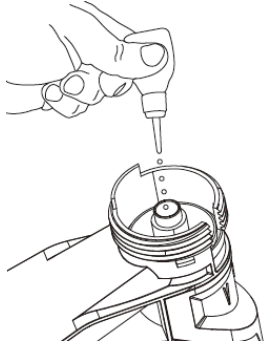


CLEANING

- If using water based material, clean the sprayer by running water through pickup tube inlet. If using oil based materials, clean pickup tube inlet with the appropriate cleaning solution. Repeat until sprayer is completely clean.

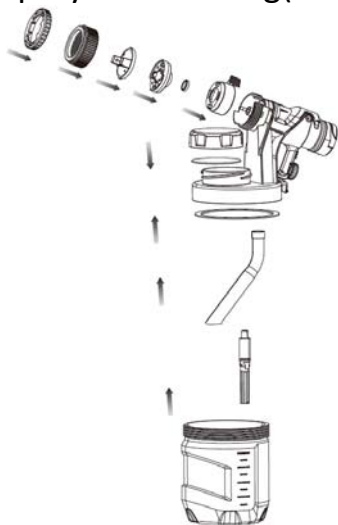


- Dry all parts thoroughly.
- Properly dispose of cleaning solution.
- Place a drop of household oil into the inside of the sprayer from the hole for assembling the spray tip.



- Reassemble sprayer.

Note: Spray nozzle can only be assembled in one direction that the notch of the nozzle(#6) must align with the skirt on spray unit housing(#10).



Note: The spray tip must be assembled in the sprayer with the bumps on the spray tip in vertical direction **Note:** Assemble the pickup tube(#15) and check valve (#16) by firmly pushing them onto the inlet on the sprayer.

Use only mild soap and damp cloth to clean the power unit. Never let any liquid get inside the power unit; never immerse any part of the power unit into a liquid.

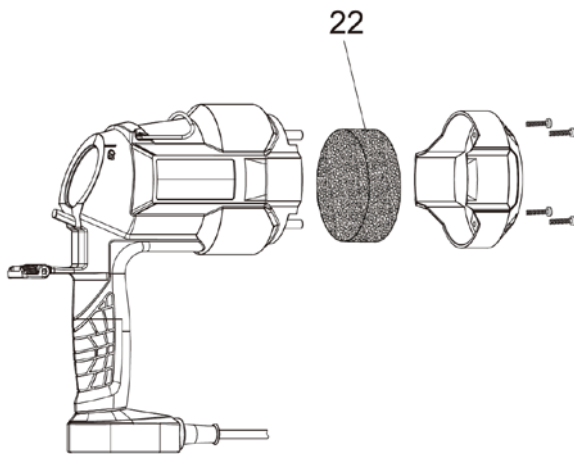
Important! To assure product **SAFETY** and **RELIABILITY**, repairs, maintenance and adjustment (other than those listed in this manual) should be performed by authorized service centers or other qualified service personnel, always using identical replacement parts.

The power unit contains 3 washable / reusable filters(#25,#27,#30). Check the filter before and after each use. If dirty, wash with warm water and allow to air dry before re-installing or replace if necessary.

- To check the filter,
-remove the filter cover (#24) by squeezing the top and bottom sides of the filter cover and pulling the cover off the power unit.

Remove the filter and inspect. Replace filter and filter cover.

Important! Never operate the power unit without the filter in place. Debris could be sucked in and interfere with the function of the power unit.



STORAGE

Make sure unit is clean and dry before storing. Store unit indoors in a dry location. To prevent damage, wrap the electrical cord so that it is not crimped during storage.

ACCESSORIES

Recommended accessories for use with your product are available from your local dealer or authorized service center.

Warning! The use of any accessory not recommended for use with this product could be hazardous.

PROTECTING THE ENVIRONMENT



Separate collection. This product must not be disposed of with normal day that your product needs replacement, or if it is of no further use to you, do not dispose of it with household waste.

Make this product available for separate collection.



Separate collection of used products and packaging allows materials to be recycled and used again. Re-use of recycled materials helps prevent environmental pollution and reduces the demand for raw materials. Local regulations may provide for separate collection of electrical products from the household, at municipal waste sites or by the retailer when you purchase a new product.

LUMBERJACK GUARANTEE

1. Guarantee

1.1 Lumberjack guarantees that for a period of 12 months from the date of purchase the components of qualifying products (see clauses 1.2.1 to 1.2.8) will be free from defects caused by faulty construction or manufacture.

1.2. During this period Lumberjack, will repair or replace free of charge any parts which are proved to be faulty in accordance with paragraph 1.1 providing that:

1.2.1 You follow the claims procedure set out in clause 2

1.2.2 Lumberjack and its authorised dealers are given reasonable opportunity after receiving notice of the claim to examine the product

1.2.3 If asked to do so by Lumberjack or its Authorised dealer, you return the product at your own cost to Lumberjack's or supplying Authorised Dealer's premises, for the examination to take place clearly stating the Returns Material Authorisation number given by Lumberjack or an Authorised Dealer.

1.2.4 The fault in question is not caused by industrial use, accidental damage, fair wear and tear, wilful damage, neglect, incorrect electrical connection, misuse, or alteration or repair of the product without approval.

1.2.5 The product has been used in a domestic environment only

1.2.6 The fault does not relate to consumable items such as blades, bearings, drive belts, or other wearing parts which can reasonably be expected to wear at different rates depending on usage.

1.2.7 The product has not been used for hire purposes.

1.2.8 The product has been purchased by you as the guarantee is not transferable from a private sale.

2. Claims Procedure

2.1 In the first instance please contact the Authorised Dealer who supplied the product to you. In our experience many initial problems with machines that are thought to be faulty due to faulty parts are actually solved by correct setting up or adjustment of the machine. A good Authorised Dealer should be able to resolve the majority of these issues much more quickly than processing a claim under the guarantee. If a return is requested by the Authorised Dealer or Lumberjack, you will be provided with a Returns Material Authorisation number which must be clearly stated on the returned package, and any accompanying correspondence. Failure to provide a Returns Material Authorisation number may result in item being refused delivery at Authorised Dealer.

2.2 Any issues with the product resulting in a potential claim under the guarantee must be reported to the Authorised Dealer from which it was purchased within 48 hours of Receipt.

2.3 If the Authorised Dealer who supplied the product to you has been unable to satisfy your query, any claims made under this Guarantee should be made directly to Lumberjack. The Claim itself should be made in a letter setting out the date and place of purchase, giving a brief explanation of the problem which has led to the claim. This letter should be then sent with proof

LUMBERJACK GUARANTEE

of purchase to Lumberjack. If you include a contact number with this it will speed your claim up.

2.4 Please note that it is essential that the letter of claim reaches Lumberjack on the last day of this Guarantee at the latest. Late claims will not be considered.

3. Limitation of Liability

3.1 We only supply products for domestic and private use. You agree not to use the product for any commercial, business or resale purposes and we have no liability to you for any loss of profit, loss of business, business interruption or loss of business opportunity.

3.2 This Guarantee does not confer any rights other than these expressly set out above and does not cover any claims for consequential loss or damage. This Guarantee is offered as an extra benefit and does not affect your statutory rights as a consumer.

4. Notice

This Guarantee applies to all product purchased from an Authorised Dealer of Lumberjack within the United Kingdom. Terms of Guarantee may vary in other countries.

CE DECLARATION OF CONFORMITY

TOOLSAVE

Unit C, Manders Ind. Est.,
Old Heath Road, Wolverhampton,
WV1 2RP.
Tel: 01902 450 470

Declares that the Spray Gun(SG900)

Is in compliance with the regulations included in the Directives:2006/42/EC

EC DECLARATION OF CONFORMITY

Certificate for EC-type examination delivered by Intertek Testing Services Hangzhou,16 No. 1 Ave.,Xiasha Economic Development District, Hangzhou,310018,China. (Verification No.:160700504HZH-V1)

Person who declares: Bill Evans



01.01.2021

The Director

A handwritten signature in black ink, appearing to be 'Bill Evans', written over a faint circular stamp.

Parts List

No.	Description	No.	Description
1	Gun seat components	14	Push rod spring
2	Guide rail positioning pin	15	Switch push rod
3	Snap joint	16	Switch
4	Lead	17	Binding post
5	Right shell components	18	Screw
6	Lead sealing ring	19	Cord guard
7	Hook rack	20	Power cord
8	Screw	21	Cord bushing
9	Suction canal	22	Left shell components
10	Motor	23	Nozzle cleaner
11	Capacitance	24	Viscosity cup
12	Motor damping ring	25	Spanner
13	Motor cabinet	26	Brush

Parts Diagram

